



PIAGGIO & C.s.p.a.



SPARE PARTS CATALOGUE



California II 1000 1983-1986

Chassis prefix: ZGUVT

Engine prefix:

CALIFORNIA

GU065



Index

Products.....	3
Part reference.....	4
CHASSIS.....	10
Drawing 33.01 - Batterie.....	10
Drawing 33.02 - T. de bord-commandes.....	13
Drawing 33.03 - Phare avant-Klaxon.....	15
Drawing 33.04 - Fourche arriere.....	17
Drawing 33.05 - Kit pompe frein AR.....	20
Drawing 33.06 - Circuit electrique.....	21
Drawing 33.07 - Sys.frein avant d.....	23
Drawing 33.08 - Sys.frein avant g.....	25
Drawing 33.09 - Kit valises-pare-brise.....	28
Drawing 33.10 - Garde-boue.....	30
Drawing 33.11 - R.pieds - Béquilles.....	31
Drawing 33.12 - Roues.....	34
Drawing 33.13 - Rés.-selle(d.ch.VT175000).....	36
Drawing 33.14 - Réservoir-selle.....	38
Drawing 33.15 - Suspension avant/arriere.....	40
Drawing 33.16 - Chassis.....	43
Drawing 33.18 - Alimentation.....	45
Drawing 33.23 - Groupe echappement.....	47
Drawing 33.24 - Levier b.vit.-frein.....	48
MOTEUR.....	50
Drawing 34.17 - Arbre moteur.....	50
Drawing 34.19 - Boîte de vitesses.....	52
Drawing 34.20 - Carburateurs.....	55
Drawing 34.21 - Carter moteur.....	57
Drawing 34.22 - Embayage.....	59
Drawing 34.25 - Pompe huile.....	60
Drawing 34.26 - Carter de boîte vitesses.....	62
Drawing 34.27 - Tête cylindre.....	64



CALIFORNIA
GU065 - California II 1000 1983-1986

Chassis prefix: ZGUVT
Engine prefix:

Products

Code	Validity
no products	



Code	Drawing Nr.	Pos.	Code	Drawing Nr.	Pos.	Code	Drawing Nr.	Pos.
GU00823950050	33.05	11	GU12735100	33.06	13	GU14090400	34.22	14
GU00823956080	34.25	31	GU12735100	33.08	7	GU141022551	33.13	21
GU00823956080	34.26	28	GU12763300	33.02	33	GU141022551	33.13	21
GU01007200	34.25	33	GU12937200	34.20	24	GU141022551	33.13	21
GU01153600	34.25	25	GU12937300	34.20	25	GU14102600	33.13	17
GU01336800	33.12	26	GU13021900	34.27	15	GU14102600	33.14	17
GU03003501001	34.21	22	GU13036801	34.27	2	GU14103400	33.16	26
GU10032700	34.27	42	GU13037000	34.27	25	GU14103800	33.16	14
GU10034100	34.27	34	GU13037200	34.27	23	GU14105100	33.13	7
GU10045801	34.17	27	GU13037400	34.27	26	GU14105100	33.14	7
GU10045802	34.17	27	GU13037600	34.27	27	GU14107100	33.16	30
GU10158701	34.25	15	GU13054502	34.17	32	GU14109000	33.16	31
GU10474600	33.03	24	GU13061260	34.17	22	GU14114350	33.18	36
GU10475900	33.03	20	GU13084100	34.22	1	GU14114460	33.18	8
GU10528900	33.04	24	GU13146402	34.25	1	GU14115401	33.18	4
GU10528900	33.15	29	GU13147701	34.25	6	GU14115550	33.18	15
GU10528900	34.26	26	GU13147800	34.25	3	GU14120901	33.23	1
GU10934900	34.20	63	GU13148300	34.25	4	GU14120906	33.23	2
GU10935900	34.20	59	GU13148400	34.25	2	GU14121200	33.23	3
GU12001200	34.21	16	GU13211500	34.19	10	GU14123400	33.23	12
GU12003702	34.21	24	GU13432640	33.11	5	GU14126900	33.23	11
GU12003702	34.26	23	GU13432640	33.24	44	GU14152200	34.25	10
GU12003900	34.21	2	GU13432640	33.24	7	GU14153000	34.25	13
GU12006400	34.25	23	GU13433440	33.11	10	GU14158200	34.25	14
GU12007600	34.25	36	GU13932800	34.20	35	GU14158800	34.25	21
GU12011400	34.21	30	GU13932900	34.20	36	GU14200211	34.26	1
GU12011401	34.21	30	GU13933100	34.20	66	GU14201110	34.26	10
GU12011402	34.21	30	GU13933700	34.20	55	GU14204955	34.26	27
GU12011403	34.21	30	GU13934400	34.20	68	GU14210513	34.19	14
GU12011700	34.21	31	GU13934600	34.20	61	GU14210702	34.19	5
GU12011800	34.21	29	GU13934800	34.20	60	GU14211110	34.19	8
GU12012200	34.21	10	GU13935000	34.20	37	GU14211201	34.19	9
GU12018900	34.21	7	GU13936200	34.20	31	GU14211600	34.19	11
GU12021700	34.27	18	GU13936300	34.20	32	GU14212013	34.19	17
GU12021800	34.27	17	GU13936600	34.20	33	GU14212210	34.19	21
GU12022600	34.27	13	GU13936700	34.20	34	GU14213001	34.19	34
GU12031800	34.27	37	GU13937100	34.20	39	GU14213612	34.19	23
GU12038100	34.27	29	GU13937600	34.20	29	GU14213803	34.26	4
GU12054000	34.17	29	GU13937800	34.20	30	GU14214210	34.19	40
GU12065400	34.17	2	GU13937900	34.20	26	GU14214510	34.19	35
GU12067701	34.17	9	GU14000765	34.21	1	GU14214810	34.19	33
GU12082300	34.22	4	GU14001400	34.21	15	GU14215110	34.19	27
GU12082800	34.22	5	GU14003240	34.21	36	GU14215213	34.19	39
GU12082901	34.22	2	GU14003600	34.21	21	GU14215400	34.19	26
GU12087001	34.22	9	GU14003800	34.21	23	GU14217300	34.19	38
GU12108400	34.25	42	GU14011900	34.21	9	GU14217410	34.19	24
GU12150700	34.25	18	GU14011901	34.21	9	GU14217901	33.05	3
GU12150900	34.25	16	GU14018400	33.03	38	GU14217901	34.26	6
GU12154200	34.25	27	GU14018400	34.27	19	GU14218011	34.19	32
GU12154200	34.26	34	GU14020865	34.27	11	GU14218401	34.19	7
GU12157800	34.25	30	GU14022065	34.27	9	GU14219310	34.19	36
GU12157800	34.25	45	GU14023560	34.27	1	GU14219401	34.19	13
GU12159000	34.25	19	GU14023760	34.27	3	GU14230501	34.19	48
GU12207200	34.26	18	GU14030201	34.27	30	GU14230711	34.19	41
GU12207700	34.26	19	GU14030401	34.27	31	GU14231012	34.19	30
GU12211700	34.19	12	GU14034865	34.27	40	GU14231201	34.19	49
GU12327700	33.04	29	GU14037300	34.27	24	GU14231510	34.19	22
GU12351100	33.04	26	GU14038000	34.27	28	GU14232400	34.19	47
GU12355202	33.04	36	GU14053301	34.17	28	GU14232512	34.19	31
GU12355203	33.04	36	GU14060760	34.17	19	GU14234300	34.19	45
GU12356300	33.04	48	GU14061060	34.17	21	GU14234405	34.19	42
GU12356400	33.04	49	GU14072001	34.17	4	GU14234600	34.17	33
GU12433000	33.11	6	GU14085700	34.22	6	GU14234600	34.19	46
GU12547200	33.04	5	GU14085900	34.22	7	GU14235500	34.19	43
GU12626800	33.24	26	GU14086000	34.22	8	GU14237800	34.26	14
GU12717600	33.06	26	GU14086100	34.22	10	GU14335203	33.12	25
GU12717600	34.25	24	GU14090202	34.22	12	GU14335350	33.12	24



Code	Drawing Nr.	Pos.	Code	Drawing Nr.	Pos.	Code	Drawing Nr.	Pos.
GU14335650	33.12	23	GU14719800	33.01	60	GU17493160	33.15	6
GU14418200	33.11	11	GU14730558	33.01	45	GU17500200	33.15	59
GU14429500	33.11	32	GU14730570	33.01	46	GU17522520	33.15	11
GU14429600	33.11	33	GU14736856	33.13	3	GU17522620	33.15	10
GU14429800	33.11	35	GU14736856	33.14	3	GU17605550	33.02	31
GU14429900	33.11	34	GU14747155	33.06	14	GU17605570	33.02	30
GU14432900	33.11	15	GU14747700	33.01	11	GU17605652	33.07	2
GU14433200	33.11	14	GU14748450	33.01	40	GU17610360	33.12	1
GU14433400	33.11	20	GU14750682	33.03	13	GU17610360	33.12	12
GU14433400	34.17	34	GU14751682	33.03	37	GU17614160	33.12	10
GU14433500	33.11	17	GU14755855	33.06	16	GU17615360	33.12	9
GU14434000	33.11	9	GU14756151	33.06	15	GU17616360	33.12	4
GU144413501	33.11	42	GU14756152	33.06	33	GU17634150	33.12	17
GU14443200	33.11	43	GU14756250	33.06	27	GU17654760	33.07	23
GU14474901	33.03	18	GU14756251	33.06	31	GU17654760	33.08	45
GU14494600	33.15	36	GU14760450	33.02	18	GU17657550	33.08	37
GU14498550	33.12	32	GU14762510	33.02	21	GU17658260	33.07	17
GU14516700	33.15	38	GU14766110	33.02	34	GU17658460	33.07	16
GU14517000	33.15	39	GU14768650	33.02	7	GU17658550	33.08	1
GU14524500	33.15	19	GU14769200	33.02	40	GU17658650	33.08	31
GU14527800	33.15	21	GU14912755	33.01	66	GU17658750	33.08	26
GU14527900	33.15	22	GU14917300	33.13	6	GU17659260	33.08	47
GU14547001	33.04	6	GU14917300	33.14	6	GU17659350	33.08	46
GU14547800	33.04	4	GU14933000	34.20	65	GU17659352	33.07	19
GU14551655	33.15	67	GU14936400	33.15	16	GU17659450	33.07	3
GU14575970	33.13	33	GU14936800	34.20	43	GU17659650	33.08	27
GU14575970	33.14	33	GU14938600	34.20	46	GU17661052	33.07	18
GU14603000	33.02	26	GU14938700	34.20	44	GU17661152	33.07	15
GU14603500	33.02	25	GU14938800	34.20	69	GU17667550	33.08	16
GU14609650	33.03	49	GU14938900	34.20	45	GU17667650	33.08	18
GU14609650	33.06	10	GU17034050	34.27	33	GU17667751	33.08	57
GU14609650	33.08	28	GU17045860	34.17	27	GU17704300	33.01	28
GU14609650	33.16	32	GU17067050	34.17	7	GU17709950	33.16	18
GU14615901	33.01	57	GU17067900	34.17	10	GU17712400	33.01	1
GU14615901	33.04	19	GU17093850	34.22	19	GU17715450	33.01	51
GU14615901	33.05	6	GU17101242	33.13	23	GU17718350	33.01	6
GU14615901	33.23	5	GU17101242	33.14	23	GU17719900	33.01	4
GU14615901	34.17	11	GU17102242	33.14	21	GU17738061	33.02	28
GU14615901	34.17	8	GU17105460	33.13	8	GU17740364	33.03	47
GU14616150	33.12	11	GU17105460	33.14	8	GU17740900	33.03	43
GU14630650	33.12	13	GU17105461	33.13	9	GU17741701	33.03	42
GU14630650	33.12	31	GU17105461	33.14	9	GU17742550	33.06	6
GU14632250	33.12	14	GU17120965	33.23	1	GU17743000	33.06	1
GU14634050	33.12	29	GU17120966	33.23	2	GU17743100	33.06	3
GU14634400	33.12	16	GU17121061	33.23	4	GU17747550	33.08	53
GU14635750	33.12	20	GU17123962	33.23	8	GU17748500	33.01	34
GU14656800	33.07	11	GU17133151	33.18	6	GU17750400	33.06	9
GU14658851	33.08	34	GU17133560	33.18	20	GU17750520	33.06	7
GU14659000	33.07	6	GU17134050	33.18	7	GU17751200	33.06	8
GU14659000	33.08	49	GU17252050	33.24	33	GU17751652	33.03	37
GU14659100	33.07	21	GU17350250	33.04	16	GU17751653	33.03	37
GU14659100	33.08	48	GU17350400	33.04	41	GU17755760	33.03	51
GU14659200	33.07	20	GU17350700	33.04	42	GU17755860	33.03	48
GU14659450	33.08	55	GU17351400	33.04	46	GU17756000	33.06	32
GU14661100	33.08	20	GU17354650	33.04	47	GU17756060	33.06	18
GU14661300	33.08	56	GU17355400	33.04	43	GU17756160	33.02	27
GU14704205	33.01	29	GU17355402	33.04	43	GU17756160	33.06	28
GU14712459	33.01	23	GU17355404	33.04	43	GU17762200	33.02	11
GU14715420	33.01	59	GU17355406	33.04	43	GU17765560	33.02	8
GU14715700	33.01	55	GU17355408	33.04	43	GU17768750	34.25	22
GU14716200	33.01	53	GU17355410	33.04	43	GU17783960	33.02	9
GU14716400	33.01	52	GU17355412	33.04	43	GU17784960	33.02	14
GU14716503	33.01	10	GU17424050	33.16	8	GU17936067	34.20	56
GU14716750	33.01	21	GU174248501	33.16	11	GU17937450	34.20	27
GU14717400	33.01	8	GU17451750	33.16	7	GU17938900	34.20	47
GU14717600	33.01	65	GU17478550	33.16	20	GU17939000	34.20	48
GU14717600	33.01	7	GU17492700	33.15	12	GU17939300	34.20	51



Code	Drawing Nr.	Pos.	Code	Drawing Nr.	Pos.	Code	Drawing Nr.	Pos.
GU17939400	34.20	52	GU19529660	33.15	58	GU28652301	33.08	32
GU17939950	34.20	22	GU19707100	33.01	25	GU28653001	33.08	51
GU17999550	34.21	34	GU19723100	33.06	17	GU28654601	33.07	24
GU18001150	34.21	13	GU19732400	33.06	25	GU28654601	33.08	44
GU18001650	34.21	20	GU19732500	33.06	19	GU28654601	33.08	54
GU18060601	34.17	25	GU19732500	33.06	34	GU28659750	33.08	50
GU18060950	34.17	20	GU19733350	33.01	26	GU28660178	33.07	1
GU18064204	34.17	1	GU19741336	33.01	63	GU28668145	33.08	4
GU18104000	33.13	2	GU19742050	33.03	39	GU28703800	33.01	67
GU18104000	33.14	2	GU19750652	33.03	13	GU28704551	33.01	35
GU18105001	33.13	4	GU19750653	33.03	13	GU28704552	33.01	35
GU18105001	33.14	4	GU19767280	33.02	5	GU28704850	33.01	37
GU18200802	34.26	11	GU19768180	33.02	10	GU28707050	33.01	36
GU18211050	34.19	15	GU19768680	33.02	12	GU28712400	33.01	1
GU18211051	34.19	15	GU19768980	33.02	4	GU28712459	33.01	23
GU18211052	34.19	15	GU19923480	33.15	64	GU28726301	33.01	71
GU18211054	34.19	15	GU23747290	33.06	24	GU28727200	33.06	39
GU18252050	33.24	2	GU23765290	33.02	23	GU28735360	33.01	22
GU18252050	33.24	43	GU23999570	33.02	43	GU28736861	33.01	27
GU18256950	33.24	32	GU25656100	33.07	10	GU28761650	33.02	3
GU18257551	33.24	39	GU25656100	33.08	3	GU28762451	33.02	3
GU18257651	33.24	38	GU25656102	34.25	28	GU28782550	33.16	2
GU18257801	33.24	28	GU25656102	34.25	44	GU28929940	33.01	61
GU18258101	33.24	29	GU25656102	34.27	47	GU28935511	34.20	58
GU18258201	33.24	22	GU25657001	33.07	14	GU28937511	34.20	41
GU18259151	33.24	45	GU27061385	34.17	23	GU28937711	34.20	42
GU18259151	33.24	8	GU27468720	33.13	36	GU28991560	34.26	36
GU18352400	33.04	33	GU27736820	33.01	27	GU29036050	34.27	21
GU18355100	33.04	35	GU27761560	33.02	3	GU29036150	34.27	22
GU184203501	33.11	22	GU28004950	34.21	28	GU29060101	34.27	7
GU184221501	33.11	23	GU28022100	34.27	5	GU29060201	34.27	10
GU18423950	33.11	39	GU28022145	34.27	5	GU29060400	34.17	18
GU18432760	33.11	47	GU28022200	34.27	6	GU29060400	34.17	24
GU18434060	33.11	16	GU28022245	34.27	6	GU29093000	34.22	18
GU18445450	33.11	41	GU28058060	34.17	36	GU29100201	33.13	1
GU18447050	33.11	25	GU28061260	34.17	22	GU29100201	33.14	1
GU18513460	33.15	34	GU28103946	33.13	20	GU29100202	33.13	1
GU18513560	33.15	35	GU28103946	33.14	20	GU29100202	33.14	1
GU18516660	33.15	8	GU28108400	34.27	45	GU29100203	33.13	1
GU18526560	33.15	51	GU28108410	33.18	12	GU29100203	33.14	1
GU18526660	33.15	24	GU28113450	33.18	21	GU29101200	33.13	23
GU18526960	33.15	23	GU28113650	33.18	23	GU29101200	33.14	23
GU18527960	33.15	25	GU28114050	33.18	22	GU29101201	33.13	23
GU18548000	33.04	9	GU28114350	33.18	24	GU29101201	33.14	23
GU18578451	33.09	14	GU28150560	34.25	41	GU29102200	33.14	21
GU18635860	33.08	25	GU28153960	34.25	43	GU29102201	33.14	21
GU18653060	33.08	32	GU28153960	34.27	46	GU29104001	33.13	2
GU18657140	33.07	8	GU28157050	33.18	33	GU29104001	33.14	2
GU18658560	33.08	1	GU28157450	34.25	29	GU29104003	33.13	2
GU18658560	33.08	4	GU28157560	34.27	44	GU29104003	33.14	2
GU18659050	33.08	49	GU28157750	33.18	35	GU29106500	33.18	11
GU18659150	33.08	48	GU28157850	33.18	14	GU29112600	33.18	1
GU18675052	33.24	11	GU28157950	33.18	34	GU29112601	33.18	2
GU18675052	33.24	12	GU28157950	34.25	32	GU29112620	33.18	1
GU18678350	33.24	4	GU28236260	34.19	50	GU29112621	33.18	2
GU18745701	33.02	37	GU28238261	34.19	51	GU29115020	33.18	13
GU18753501	33.03	17	GU28350345	33.04	17	GU29117520	33.18	3
GU18759351	33.11	50	GU28351260	33.04	21	GU29122900	33.23	10
GU18759650	33.11	49	GU28494033	33.15	2	GU29123000	33.23	9
GU18935750	34.20	53	GU28556150	33.15	52	GU29128600	33.23	16
GU19104950	33.13	5	GU28556250	33.15	53	GU29128700	33.23	17
GU19104950	33.14	5	GU28556250	33.15	57	GU29135600	34.27	43
GU19105150	33.14	35	GU28556350	33.15	54	GU29250820	33.24	42
GU19157800	33.05	13	GU28556450	33.15	55	GU29326300	33.04	28
GU19355320	33.04	37	GU28604645	33.02	42	GU29400101	33.16	1
GU19355322	33.04	37	GU28613345	33.12	7	GU29400120	33.16	1
GU19355325	33.04	37	GU28652301	33.07	22	GU29400121	33.16	1



Code	Drawing Nr.	Pos.	Code	Drawing Nr.	Pos.	Code	Drawing Nr.	Pos.
GU29400121	34.27	48	GU29578800	33.15	42	GU55235001	34.19	44
GU29400131	34.27	48	GU29600300	33.02	29	GU55235002	34.19	44
GU29420320	33.11	22	GU29633300	33.12	18	GU55235003	34.19	44
GU29422120	33.11	23	GU29667000	33.08	9	GU55436525	33.10	12
GU29432000	33.11	4	GU29703800	33.01	17	GU55938585	34.20	40
GU29432020	33.11	4	GU29704000	33.01	64	GU61013800	33.10	10
GU29432800	33.11	7	GU29705500	33.01	38	GU61013800	33.24	24
GU29434301	33.10	1	GU29740500	33.03	1	GU61270300	33.04	39
GU29434302	33.10	1	GU29740500	33.03	4	GU61270300	33.10	7
GU29434303	33.10	1	GU29740500	33.03	7	GU61270300	33.13	31
GU29435700	33.10	2	GU29740530	33.03	1	GU61270300	33.14	31
GU29435900	33.10	3	GU29743752	33.03	9	GU61270300	34.17	40
GU29437002	33.10	16	GU29743753	33.03	8	GU61270300	34.21	12
GU29437003	33.10	16	GU29746300	33.02	39	GU61712500	33.06	29
GU29437004	33.10	16	GU29746900	33.03	50	GU61712600	33.06	30
GU29443450	33.11	24	GU29747600	33.06	23	GU62436500	33.08	38
GU29450200	33.16	4	GU29753821	33.09	28	GU62497820	33.15	40
GU29458201	33.09	8	GU29753822	33.09	29	GU63492700	33.15	9
GU29458801	33.09	9	GU29755400	33.11	48	GU63496120	33.15	32
GU29460500	33.14	13	GU29764000	33.02	19	GU63496220	33.15	33
GU29460501	33.13	13	GU29769500	33.02	2	GU63525400	33.15	15
GU29460520	33.13	13	GU29900000	33.01	62	GU63657000	33.08	35
GU29462420	33.16	35	GU29900001	33.01	62	GU63751321	33.03	12
GU294625201	33.16	36	GU29900002	33.01	62	GU63763120	33.02	24
GU29462920	33.13	34	GU29900003	33.01	62	GU63764120	33.02	22
GU29463000	33.14	34	GU29923300	33.13	15	GU63766220	33.02	1
GU29463120	33.16	37	GU29923300	33.14	15	GU63766920	33.02	15
GU29464300	33.13	26	GU29991000	34.21	37	GU65604400	33.02	36
GU29464300	33.14	26	GU29999000	34.21	33	GU65663500	33.05	7
GU29464320	33.13	26	GU29999260	33.09	4	GU90118152	34.27	36
GU29466500	33.13	14	GU29999260	33.09	5	GU90271008	33.24	41
GU29466500	33.14	14	GU29999350	34.19	3	GU90271014	33.15	26
GU29466520	33.09	21	GU29999350	34.22	3	GU90271020	33.04	30
GU29467320	33.09	22	GU30057810	34.17	37	GU90271055	33.12	28
GU29476201	33.13	11	GU30061500	34.17	13	GU90272062	33.04	13
GU29476201	33.14	11	GU30062000	34.17	17	GU90353016	34.27	8
GU29476202	33.13	11	GU30062001	34.17	17	GU90402038	34.21	17
GU29476202	33.14	11	GU30062002	34.17	17	GU90402840	34.21	17
GU29476203	33.13	11	GU30062003	34.17	17	GU90403040	33.04	7
GU29476203	33.14	11	GU30062260	34.17	16	GU90403449	33.15	18
GU29476301	33.13	12	GU30328031	33.04	12	GU90403547	34.26	2
GU29476301	33.14	12	GU30356760	33.04	31	GU90403548	34.26	31
GU29476302	33.13	12	GU30430360	33.11	13	GU90403850	33.04	25
GU29476302	33.14	12	GU30658561	33.05	14	GU90405367	34.21	32
GU29476303	33.13	12	GU30665860	33.05	12	GU90407085	33.04	45
GU29476303	33.14	12	GU30666060	33.05	10	GU90706094	34.27	12
GU29479600	33.16	21	GU30666760	33.05	4	GU90706140	34.26	12
GU29479700	33.16	22	GU30666960	33.05	1	GU90706170	34.22	11
GU29482000	33.09	27	GU30675160	33.05	15	GU90706203	34.19	6
GU29482000	33.09	34	GU30675960	33.24	1	GU90706203	34.27	14
GU29484000	33.09	20	GU30717010	33.01	9	GU90706219	34.19	52
GU29485000	33.09	6	GU30730711	33.01	44	GU90706235	34.19	4
GU29486100	33.09	10	GU30999660	33.05	16	GU90706238	33.15	17
GU29486500	33.09	7	GU31735360	33.01	22	GU90706490	33.12	27
GU29487620	33.09	26	GU31735360	33.02	20	GU90706584	33.04	34
GU29490200	33.15	1	GU37045006	34.17	26	GU90714103	33.13	10
GU29506800	33.09	2	GU39461600	33.16	17	GU90714103	33.14	10
GU29506900	33.09	3	GU39663801	33.07	7	GU90716142	33.08	29
GU29526400	33.15	20	GU39753770	33.03	15	GU90718370	33.23	7
GU29526400	33.15	56	GU39753771	33.03	44	GU91111511	34.27	32
GU29527400	33.15	27	GU39922200	33.15	65	GU91112128	34.17	14
GU29540200	33.04	1	GU43083810	34.19	25	GU91180607	33.11	53
GU29541850	33.04	51	GU43262180	33.24	3	GU91180607	33.18	30
GU29550201	33.15	48	GU43934000	34.20	62	GU91180718	33.01	14
GU29552300	33.15	49	GU49609601	33.06	11	GU91180810	33.16	27
GU29555200	33.04	15	GU55234700	34.26	30	GU91180907	33.01	58
GU29577200	33.09	1	GU55235000	34.19	44	GU91180915	34.17	38



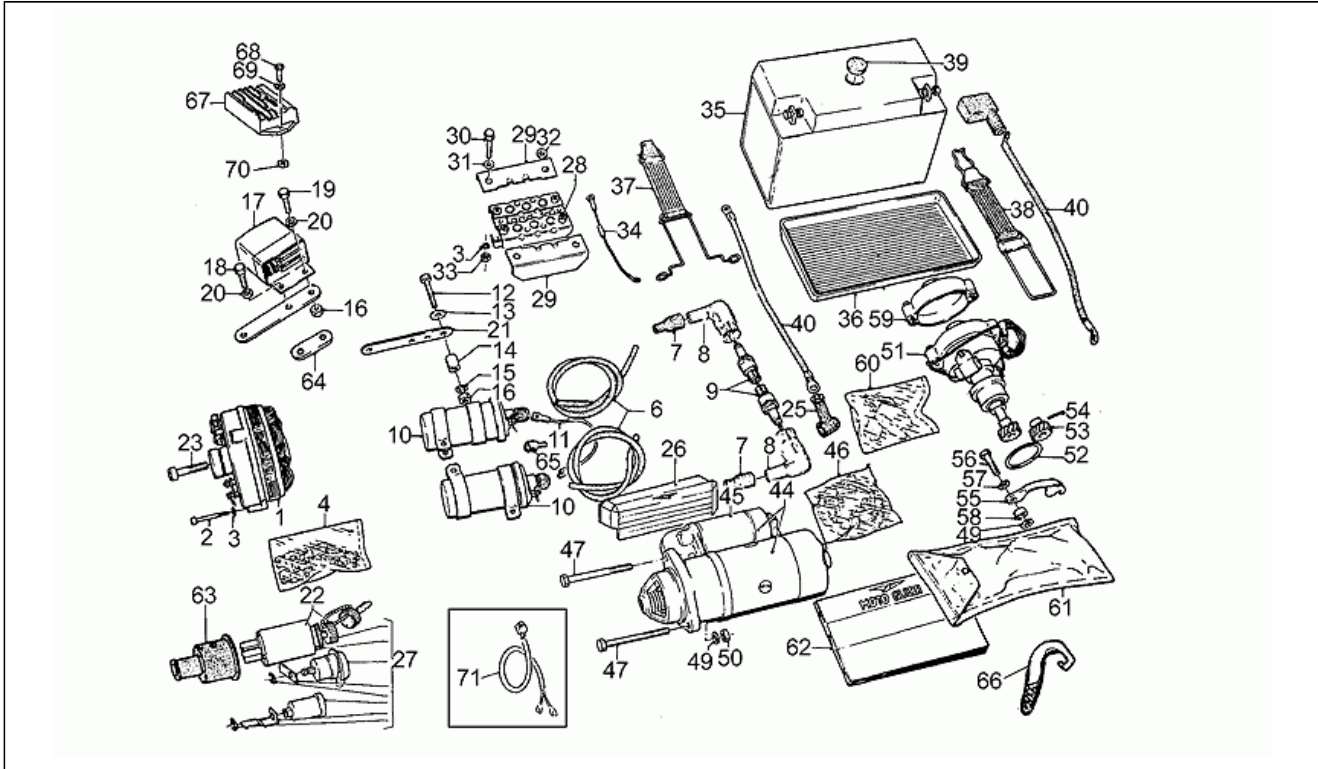
Code	Drawing Nr.	Pos.	Code	Drawing Nr.	Pos.	Code	Drawing Nr.	Pos.
GU91180916	33.02	35	GU92602512	34.26	15	GU94322215	34.27	35
GU91181110	33.15	4	GU92602516	33.12	2	GU95000205	33.01	32
GU91181320	33.16	33	GU92602518	34.17	35	GU95000205	33.01	69
GU91181405	33.15	66	GU92603010	34.27	20	GU95000205	33.03	30
GU91551082	33.09	30	GU92603206	33.11	45	GU95000205	33.06	21
GU91551082	33.13	16	GU92630105	33.01	70	GU95000205	33.06	36
GU91551082	33.14	16	GU92630105	33.02	41	GU95000205	33.06	4
GU91551085	33.11	54	GU92630105	33.03	32	GU95000205	33.13	38
GU91551085	33.18	29	GU92630105	33.06	22	GU95000205	33.18	26
GU91551102	33.10	17	GU92630105	33.06	5	GU95000206	33.01	15
GU91551120	33.08	21	GU92630105	33.13	39	GU95000206	33.01	20
GU91551131	33.10	13	GU92630105	33.18	27	GU95000206	33.03	22
GU91702355	34.17	3	GU92630106	33.03	23	GU95000206	33.05	9
GU92201070	33.04	44	GU92630106	33.03	28	GU95000206	33.08	15
GU92201417	34.26	13	GU92630106	33.08	33	GU95000206	33.09	33
GU92204220	33.12	30	GU92630106	33.16	13	GU95000206	33.16	19
GU92204221	33.12	8	GU92630106	33.18	32	GU95000206	34.26	20
GU92204230	33.04	14	GU92630106	33.24	30	GU95000213	33.11	36
GU92218424	34.26	7	GU92630108	33.13	32	GU95001206	33.15	43
GU92234717	34.26	8	GU92630108	33.14	32	GU95001208	33.09	19
GU92249217	33.04	8	GU92630108	33.15	68	GU95004205	33.07	13
GU92249225	33.15	37	GU92630108	34.26	33	GU95004206	33.09	24
GU92249227	33.04	32	GU92630110	33.11	21	GU95004206	33.18	19
GU92251022	34.19	29	GU92630206	33.08	14	GU95004206	34.21	27
GU92251030	34.19	20	GU92630508	33.12	5	GU95004208	33.01	49
GU92252210	34.25	5	GU92690073	33.24	13	GU95004208	33.10	19
GU92254340	33.04	27	GU92690073	33.24	40	GU95004208	33.11	1
GU92256218	34.26	3	GU92700073	33.11	27	GU95004208	33.16	6
GU92258525	34.19	16	GU92731090	34.17	15	GU95004208	34.21	5
GU92259017	34.19	28	GU92781062	33.03	10	GU95004210	33.04	3
GU92295702	34.19	37	GU92781062	33.10	11	GU95004210	33.07	26
GU92296750	34.19	18	GU92781081	33.04	20	GU95004210	33.08	24
GU92601208	33.09	17	GU92781081	33.09	25	GU95004210	33.08	39
GU92602205	33.01	33	GU92781081	33.10	20	GU95004210	33.11	19
GU92602205	33.06	37	GU92781081	33.10	8	GU95004210	33.15	3
GU92602206	33.01	16	GU92781081	33.23	6	GU95004210	33.15	5
GU92602206	33.03	33	GU92781100	33.11	8	GU95004217	33.12	3
GU92602206	33.03	36	GU93110060	33.03	26	GU95007208	33.04	52
GU92602206	33.08	6	GU93180080	33.16	3	GU95021105	33.01	3
GU92602206	33.09	32	GU93180105	33.04	50	GU95021105	33.06	38
GU92602206	33.11	37	GU93180110	33.03	40	GU95021105	33.18	10
GU92602206	33.16	25	GU93180220	33.01	39	GU95021106	33.08	5
GU92602206	33.24	27	GU93180220	34.26	22	GU95021106	33.10	15
GU92602206	33.24	6	GU93180706	33.13	22	GU95021106	33.12	22
GU92602208	33.01	50	GU93180706	33.14	22	GU95021106	33.16	24
GU92602208	33.08	8	GU93301313	33.03	33	GU95021106	33.24	21
GU92602208	33.09	13	GU93301313	33.08	19	GU95021106	33.24	5
GU92602208	33.10	23	GU93301313	33.11	55	GU95021108	33.03	11
GU92602208	33.11	3	GU93301313	33.16	15	GU95021108	33.08	10
GU92602208	33.13	29	GU93305057	33.04	10	GU95021108	33.09	12
GU92602208	33.14	29	GU93305057	33.18	37	GU95021108	33.09	16
GU92602208	33.15	63	GU93305057	33.18	5	GU95021108	33.10	22
GU92602208	33.23	15	GU93305078	33.04	11	GU95021108	33.11	2
GU92602208	34.21	6	GU93450119	33.02	6	GU95021108	33.13	28
GU92602210	33.07	19	GU93450119	33.03	2	GU95021108	33.14	28
GU92602210	33.07	29	GU93450120	33.02	13	GU95021108	33.15	62
GU92602210	33.08	42	GU93450129	33.03	14	GU95021108	33.23	14
GU92602210	33.13	35	GU93450140	33.02	16	GU95021108	33.24	46
GU92602210	33.15	31	GU93450224	33.03	19	GU95021108	33.24	9
GU92602308	33.15	45	GU93450232	33.03	3	GU95021112	33.11	29
GU92602308	34.25	7	GU93601022	34.19	1	GU95028022	34.19	2
GU92602312	33.11	30	GU93601026	34.17	6	GU95028025	34.17	5
GU92602316	33.12	15	GU94321051	34.19	19	GU95100059	33.01	31
GU92602411	33.03	16	GU94321067	34.26	29	GU95100059	33.03	31
GU92602508	34.22	15	GU94321072	34.25	17	GU95100060	33.02	38
GU92602512	33.11	31	GU94321105	34.22	13	GU95100116	33.15	14
GU92602512	33.24	37	GU94322185	33.24	35	GU95100116	33.18	17



Code	Drawing Nr.	Pos.	Code	Drawing Nr.	Pos.	Code	Drawing Nr.	Pos.
GU95100121	33.10	5	GU98052390	34.21	26	GU98326016	33.15	41
GU95100121	33.16	12	GU98052430	33.01	56	GU98620245	33.01	2
GU95100125	33.01	13	GU98052440	33.11	40	GU98620250	33.01	2
GU95100139	33.11	52	GU98052445	33.12	19	GU98620330	33.18	18
GU95100141	33.03	27	GU98052450	33.10	18	GU98620335	34.21	19
GU95100141	33.18	31	GU98052455	33.10	18	GU98620335	34.26	17
GU95100173	33.08	12	GU98052480	33.01	47	GU98620355	34.21	35
GU95100173	33.24	18	GU98052490	33.13	27	GU98620440	33.08	17
GU95100255	33.03	46	GU98052490	33.14	27	GU98620540	33.07	25
GU95100255	33.16	29	GU98052499	33.12	6	GU98620540	33.08	52
GU95100256	33.15	50	GU98052535	33.04	2	GU98620540	33.15	30
GU95100332	33.07	27	GU98052545	33.11	18	GU98620540	33.15	7
GU95100332	33.08	40	GU98053660	33.24	34	GU98620560	33.15	3
GU95100333	33.07	27	GU98054210	33.06	35	GU98620590	33.15	28
GU95100333	33.08	40	GU98054210	33.13	18	GU98621670	33.16	9
GU95100409	33.24	36	GU98054210	33.14	18	GU98622310	33.05	8
GU95100415	33.16	34	GU98054210	33.18	9	GU98622312	33.15	13
GU95100523	34.25	20	GU98054214	33.06	20	GU98622316	34.26	5
GU95100709	33.04	22	GU98054216	33.13	37	GU98622318	33.02	32
GU95100709	34.21	25	GU98054220	33.03	29	GU98622320	33.05	2
GU95100709	34.26	24	GU98054314	33.01	19	GU98622325	34.21	18
GU95120065	34.17	31	GU98054314	33.08	30	GU98622325	34.26	16
GU95120065	34.25	39	GU98054314	33.16	16	GU98622325	34.27	4
GU95120065	34.27	39	GU98054316	33.03	21	GU98622430	34.25	9
GU95120085	34.25	8	GU98054316	33.09	23	GU98622530	33.07	5
GU95129100	33.13	19	GU98054316	34.25	11	GU98622530	33.08	23
GU95129100	33.14	19	GU98054316	34.25	40	GU98622530	33.08	43
GU95129110	33.24	16	GU98054316	34.26	21	GU98622530	33.11	28
GU95129110	33.24	31	GU98054316	34.27	38	GU98822310	33.10	14
GU95129130	33.08	11	GU98054320	33.01	18	GU98822314	33.10	4
GU95129130	33.24	19	GU98054320	33.07	12	GU98822318	33.10	9
GU95129180	33.07	28	GU98054320	33.08	36	GU98822420	33.09	11
GU95129180	33.08	41	GU98054320	33.11	51	GU98822425	33.10	21
GU95129180	34.27	16	GU98054320	33.12	21	GU98822425	33.10	6
GU95187006	34.25	12	GU98054320	33.15	44			
GU95187008	33.04	40	GU98054320	33.16	23			
GU95500222	33.08	13	GU98054320	33.18	28			
GU95500222	33.24	17	GU98054320	34.17	30			
GU95500222	33.24	23	GU98054412	33.05	5			
GU95500222	34.22	17	GU98054416	33.03	41			
GU95510318	33.01	54	GU98054416	33.11	12			
GU95512081	34.21	8	GU98054416	33.24	10			
GU95512081	34.26	9	GU98054416	33.24	47			
GU95740175	33.24	14	GU98054420	33.15	47			
GU95770265	33.24	15	GU98054420	33.16	5			
GU95770265	33.24	25	GU98054420	33.23	13			
GU95780271	34.22	16	GU98054420	34.17	12			
GU95980214	33.04	23	GU98054422	33.13	30			
GU95980214	34.26	35	GU98054422	33.14	30			
GU95980610	34.26	25	GU98054425	33.04	38			
GU95990028	33.07	9	GU98054425	33.16	28			
GU95990028	33.08	2	GU98054425	34.21	11			
GU95990034	33.07	4	GU98054440	34.17	39			
GU95990037	34.25	26	GU98054520	33.03	45			
GU96508032	34.26	32	GU98064345	33.11	44			
GU96508042	34.27	41	GU98074416	33.09	18			
GU96508045	33.04	18	GU98074416	33.15	46			
GU96508045	33.15	61	GU98074425	33.09	15			
GU96508066	33.15	60	GU98107035	33.11	26			
GU96508066	34.21	3	GU98202510	33.13	24			
GU96508075	34.21	4	GU98202510	33.14	24			
GU98052270	33.18	25	GU98202516	33.01	68			
GU98052325	33.11	38	GU98202530	33.06	2			
GU98052325	33.16	10	GU98250516	33.16	38			
GU98052325	33.24	20	GU98305017	33.01	30			
GU98052335	33.09	31	GU98310630	34.21	14			
GU98052345	33.01	12	GU98326009	33.18	16			

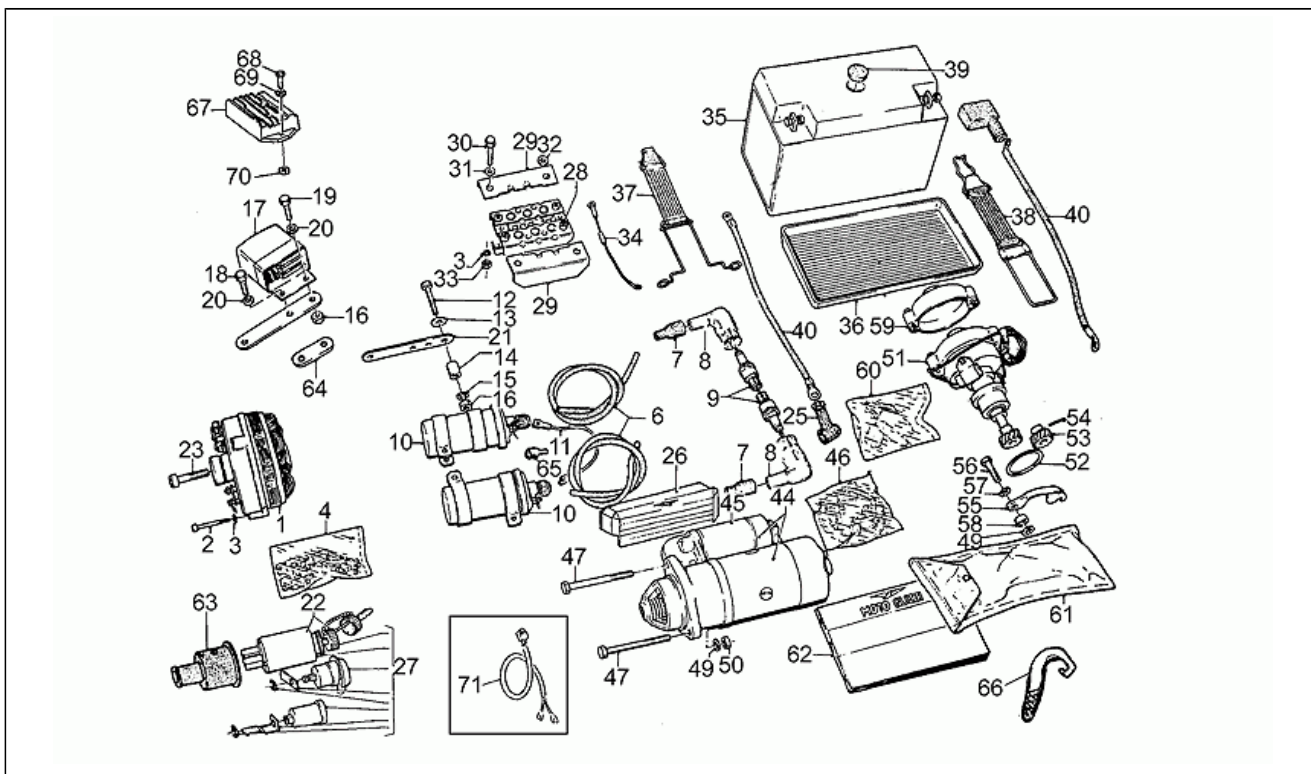


Assembly	CHASSIS
Code	33.01
Description	Batterie
Revision	1



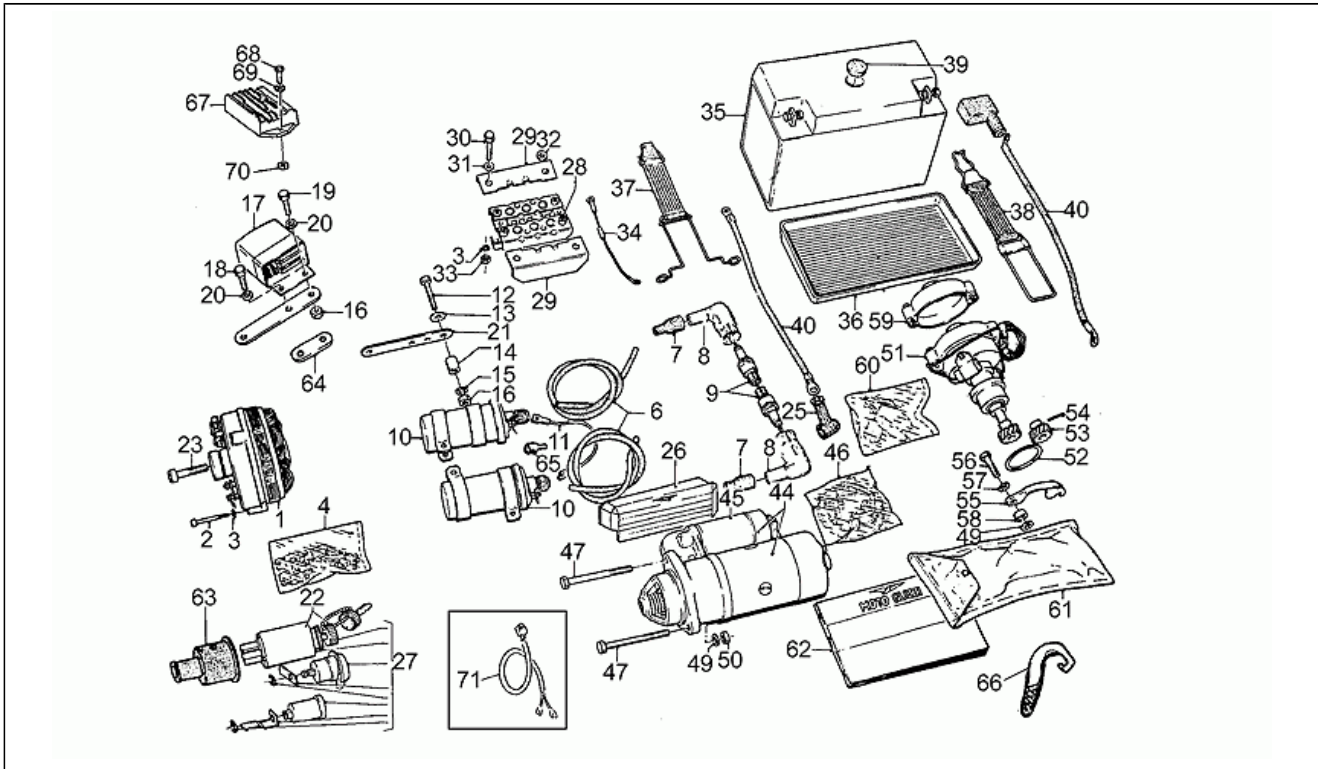
Pos.	Code	Description	Q.ty	Variants
1	GU17712400	Alternateur Bosch	1	Spécifications techniques:Bosch[B]
1	GU28712400	Alternateur SAPRISA	1	Spécifications techniques:Saprisa[S]
2	GU98620245	Vis M5X45	3	Spécifications techniques:Bosch[B]
2	GU98620250	Vis	3	Spécifications techniques:Saprisa[S]
3	GU95021105	Rondelle évent.	8	
4	GU17719900	Kit réparation	1	
6	GU17718350	Câble haute tension	2	
7	GU14717600	Capuchon	2	
8	GU14717400	Pipe bougie	2	
9	GU30717010	Bougie NGK BP6ES	2	
10	GU14716503	Bobine	2	Spécifications techniques:See spare parts comm.n.028 of 1999[02899N]
11	GU14747700	Cable	1	
12	GU98052345	Vis	2	
13	GU95100125	Rondelle	2	
14	GU91180718	Entretoise	2	
15	GU95000206	Rondelle	2	
16	GU92602206	Ecrou	4	
17	GU29703800	Régulateur de tension BOSCH	1	Spécifications techniques:Bosch[B]
18	GU98054320	Vis M6X20	1	
19	GU98054314	Vis	6	
20	GU95000206	Rondelle	2	
21	GU14716750	Plaquette	1	
22	GU28735360	Bloc démarreur	1	Spécifications techniques:A' partir du chassis VT17500[T2]
22	GU31735360	Bloc démarreur	1	Spécifications techniques:Jusqu'au chassis VT17499[T1]
23	GU14712459	Vis	1	Spécifications techniques:Bosch[B]
23	GU28712459	Vis	1	Spécifications techniques:Saprisa[S]
25	GU19707100	Capuchon	1	

Assembly	CHASSIS
Code	33.01
Description	Batterie
Revision	1



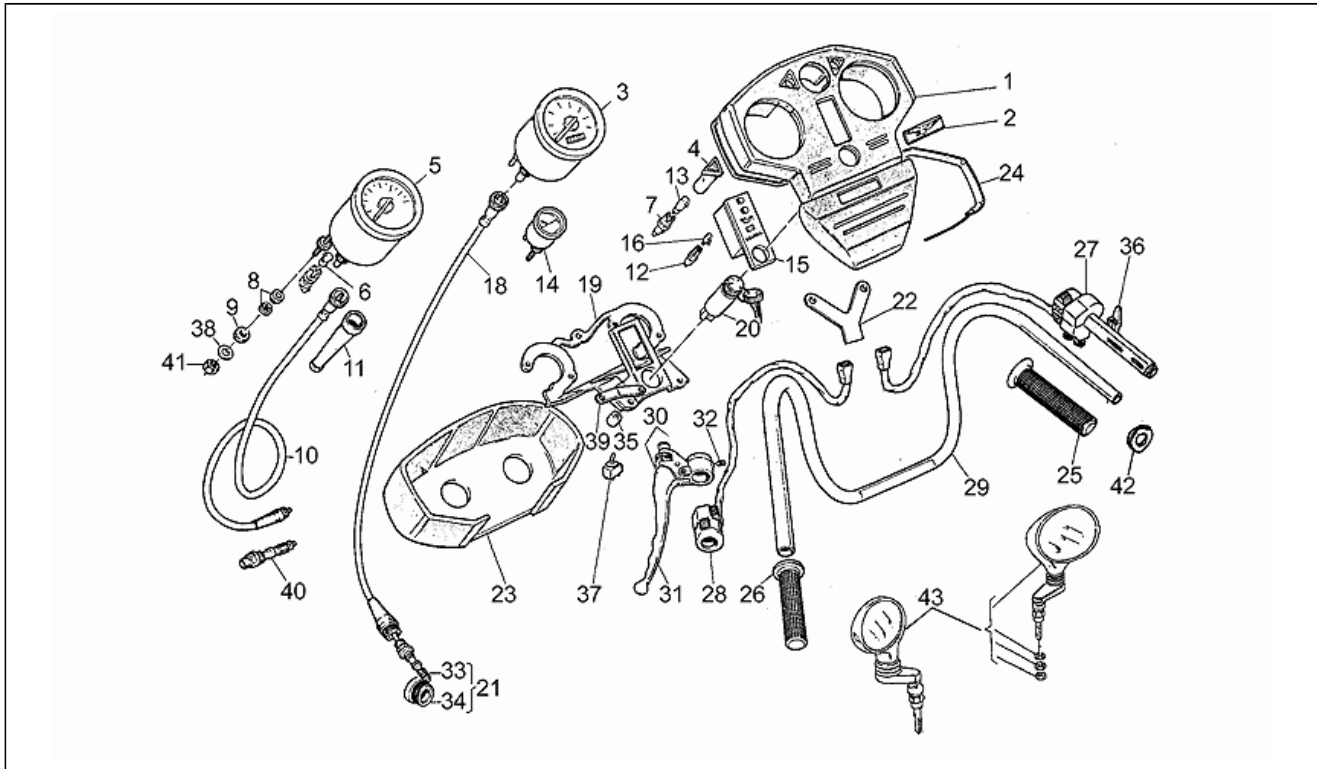
Pos.	Code	Description	Q.ty	Variants
26	GU19733350	Protection	1	
27	GU27736820	Kit serrure	1	Spécifications techniques: A' partir du chassis VT17500[T2]
27	GU28736861	Kit serrure	1	Spécifications techniques: Jusqu'au chassis VT17499[T1]
28	GU17704300	Redresseur Bosch	1	
29	GU14704205	Couvercle	2	
30	GU98305017	Vis	4	
31	GU95100059	Rondelle 5,25x14x1,5	2	
32	GU95000205	Rondelle	3	
33	GU92602205	Ecrou	4	
34	GU17748500	Cable	1	
35	GU28704551	Batterie 12V-23Ah	1	
35	GU28704552	Batterie 12V-24Ah	1	
36	GU28707050	Boîtier batterie	1	
37	GU28704850	Elastique de fixation	1	
38	GU29705500	Elastique de fixation	1	
39	GU93180220	Bouchon	1	
40	GU14748450	Cable	2	
44	GU30730711	Démarrateur Valeo	1	
45	GU14730558	Interrupteur cpl.	1	
46	GU14730570	Kit rév. démarreur	1	
47	GU98052480	Vis	2	
49	GU95004208	Rondelle	3	
50	GU92602208	Ecrou M8X1,25	1	
51	GU17715450	Rupteur	1	
52	GU14716400	Joint	1	
53	GU14716200	Engrenage	1	
54	GU95510318	Goupille	1	
55	GU14715700	Plaquette	1	

Assembly	CHASSIS
Code	33.01
Description	Batterie
Revision	1



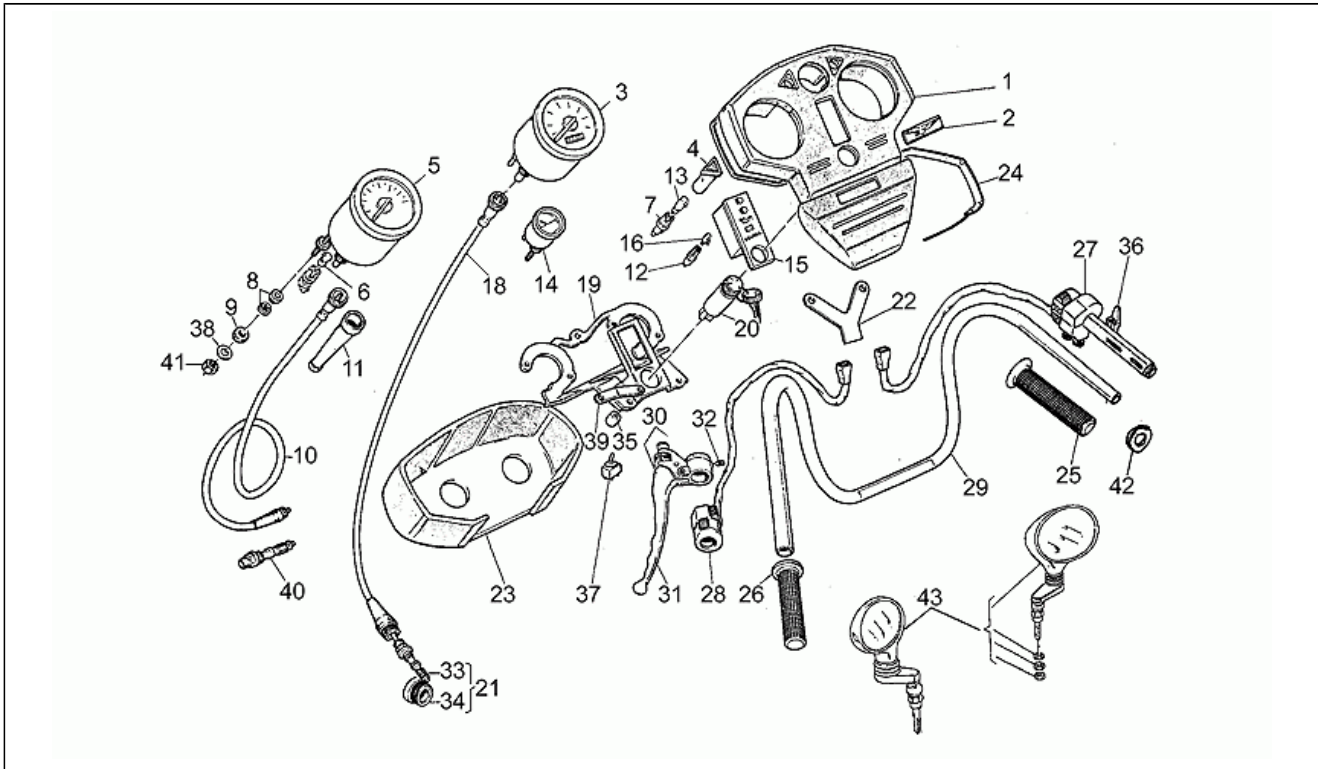
Pos.	Code	Description	Q.ty	Variants
56	GU98052430	Vis M8x30	2	
57	GU14615901	Rondelle 8,4X13X0,8	2	
58	GU91180907	Entretoise	2	
59	GU14715420	Couvercle	1	
60	GU14719800	Kit révision rupteur	1	
61	GU28929940	Trousse à outils	1	
62	GU29900000	Livret d'util.et entret.	1	Pays:Italie[I]
62	GU29900001	Livret d'util.et entret.	1	Pays:Angleterre[UK]
62	GU29900002	Livret d'util.et entret.	1	Pays:France[F]
62	GU29900003	Livret d'util.et entret.	1	Pays:Allemagne[D]
63	GU19741336	Bague	1	
64	GU29704000	Plaque	1	
65	GU14717600	Capuchon	2	
66	GU14912755	Clé régl. amortisseur	1	
67	GU28703800	Régulateur de tension SAPRISA	1	Spécifications techniques:Saprisa[S]
68	GU98202516	Vis	2	Spécifications techniques:Saprisa[S]
69	GU95000205	Rondelle	2	Spécifications techniques:Saprisa[S]
70	GU92630105	Ecrou	2	Spécifications techniques:Saprisa[S]
71	GU28726301	Câblage alternat.-régulateur	2	Spécifications techniques:Saprisa[S]

Assembly	CHASSIS
Code	33.02
Description	T. de bord-commandes
Revision	1



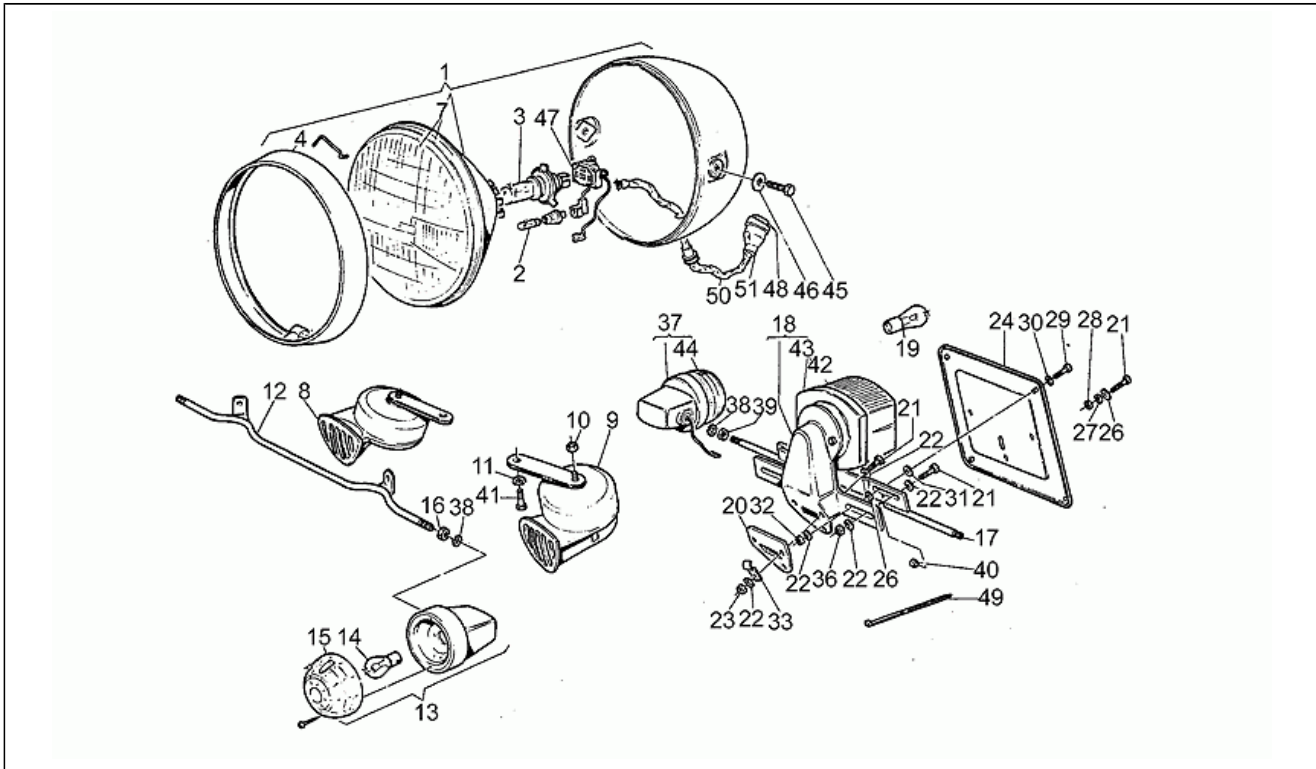
Pos.	Code	Description	Q.ty	Variants
1	GU63766220	Tableau de bord	1	
2	GU29769500	Décalco "Aquila"	1	
3	GU27761560	Compteur kilométrique	1	
3	GU28761650	Compteur kilométrique	1	Pays:Angleterre[UK]
3	GU28762451	Compteur kilométrique Mhp	1	Pays:États Unis[USA]
4	GU19768980	Témoin clignotants	2	
5	GU19767280	Compte-tours	1	
6	GU93450119	Lampe (ou Ampoule) 12V-4W	3	
7	GU14768650	Porte-ampoule	2	
8	GU17765560	Caoutchouc	5	
9	GU17783960	Caoutchouc	5	
10	GU19768180	Transmission compte-tours	1	
11	GU17762200	Gaine	2	
12	GU19768680	Porte-ampoule	5	
13	GU93450120	Lampe (ou Ampoule) 12v-3w	2	
14	GU17784960	Voltmètre	1	
15	GU63766920	Cache vitré témoins	1	
16	GU93450140	Lampe (ou Ampoule) 12V-1,2W	5	
18	GU14760450	Transmission tachymètre	1	
19	GU29764000	Plaque	1	
20	GU31735360	Bloc démarreur	1	
21	GU14762510	Renvoi Z5/11	1	
22	GU63764120	Plaque	1	
23	GU23765290	Support instruments	1	
24	GU63763120	Joint	1	
25	GU14603500	Poignée dr.	1	
26	GU14603000	Poignée gc.	1	
27	GU17756160	Connecteur 4 voies	1	

Assembly	CHASSIS
Code	33.02
Description	T. de bord-commandes
Revision	1



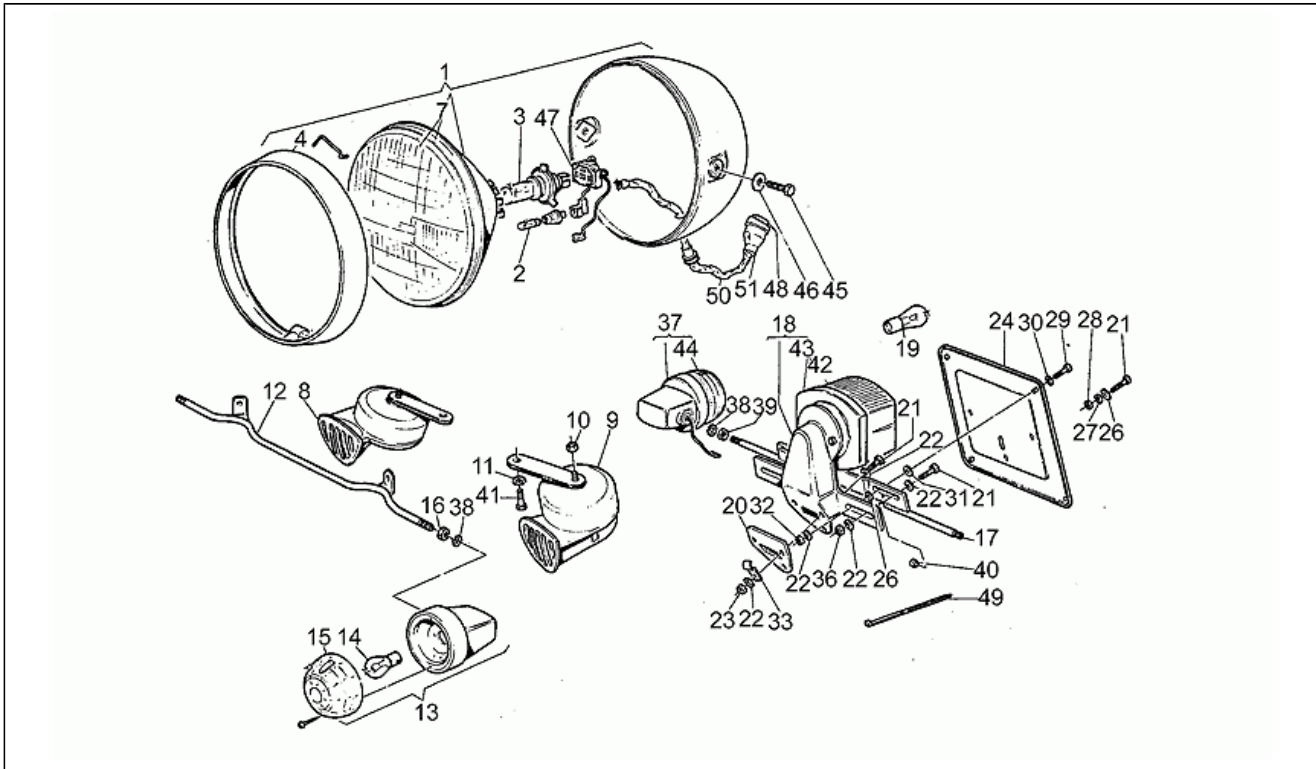
Pos.	Code	Description	Q.ty	Variants
28	GU17738061	Déviateur feux gche	1	
29	GU29600300	Guidon	1	
30	GU17605570	Commande levier embrayage	1	
31	GU17605550	Levier embrayage	1	
32	GU98622318	Vis M6X18	1	
33	GU12763300	Pignon Z5	1	
34	GU14766110	Couronne Z11	1	
35	GU91180916	Entretoise	2	
36	GU65604400	Bloc conduite	1	
37	GU18745701	Interrupteur	1	
38	GU95100060	Rondelle	5	
39	GU29746300	Plaque	1	
40	GU14769200	Renvoi Z=14	1	
41	GU92630105	Ecrou	5	
42	GU28604645	Rondelle nylon	1	
43	GU23999570	Rétroviseurs-paire	1	

Assembly	CHASSIS
Code	33.03
Description	Phare avant-Klaxon
Revision	1



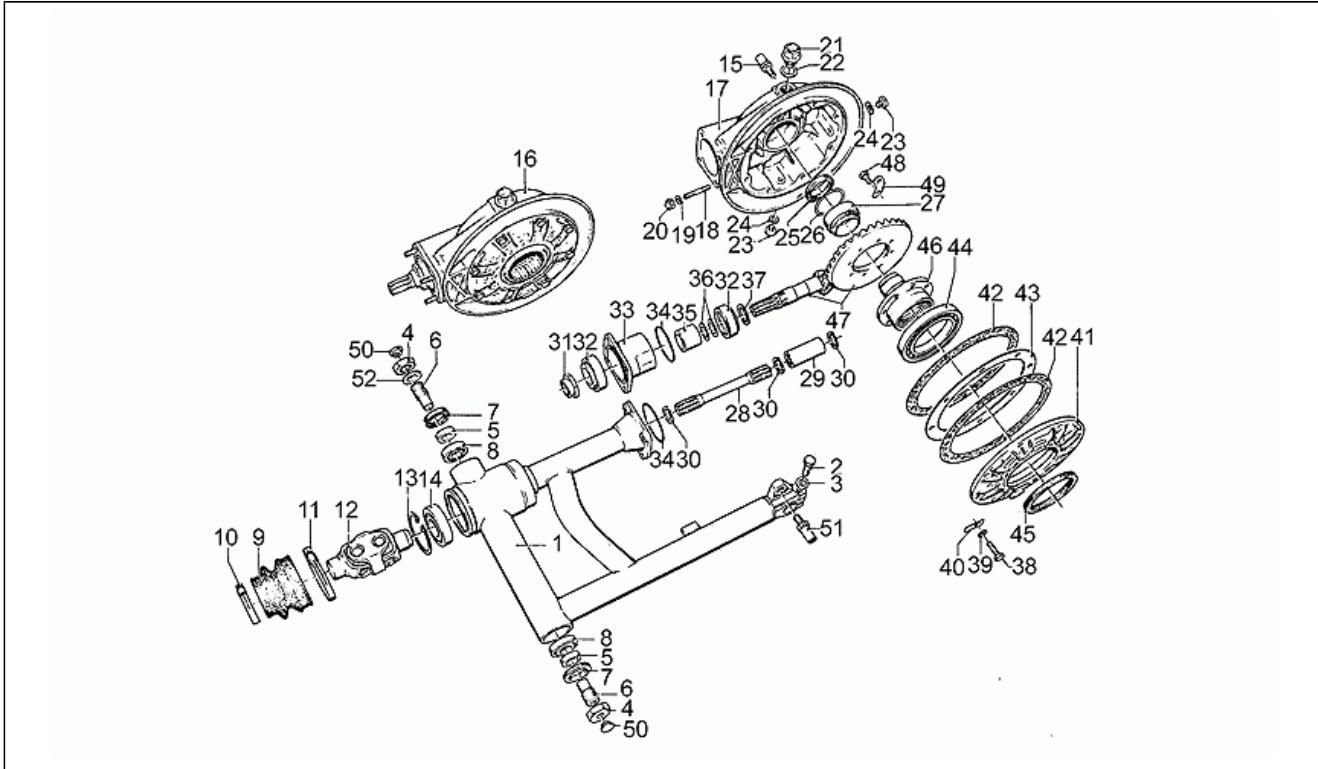
Pos.	Code	Description	Q.ty	Variants
1	GU29740500	Groupe optique	1	
1	GU29740530	Phare avant	1	Pays:Angleterre[UK]
2	GU93450119	Lampe (ou Ampoule) 12V-4W	1	
3	GU93450232	Lampe (ou Ampoule) 12V-55/60W	1	
4	GU29740500	Groupe optique	1	
7	GU29740500	Groupe optique	1	
8	GU29743753	Avertisseur	1	
9	GU29743752	Avertisseur	1	
10	GU92781062	Ecrou	2	
11	GU95021108	Rondelle élastique	2	
12	GU63751321	Bride	1	
13	GU14750682	Indicateurs direction	1	Pays:États Unis[USA]
13	GU19750652	Clignotants D	1	Spécifications techniques:Cev[C]
13	GU19750653	Clignotants G	1	Spécifications techniques:Cev[C]
14	GU93450129	Lampe (ou Ampoule) 12V-10W	4	
15	GU39753770	Verre clignotant AV	2	
16	GU92602411	Ecrou	2	
17	GU18753501	Support	1	
18	GU14474901	Porte-plaque cpl.	1	
19	GU93450224	Lampe (ou Ampoule) 12V/5-21W	1	
20	GU10475900	Protection caoutch.	1	
21	GU98054316	Vis M6X16	6	
22	GU95000206	Rondelle	8	
23	GU92630106	Ecrou M6x1	6	
24	GU10474600	Support porte-plaque	1	
26	GU93110060	Caoutchouc	3	
27	GU95100141	Rondelle 6,4x12x1,2	2	
28	GU92630106	Ecrou M6x1	1	

Assembly	CHASSIS
Code	33.03
Description	Phare avant-Klaxon
Revision	1



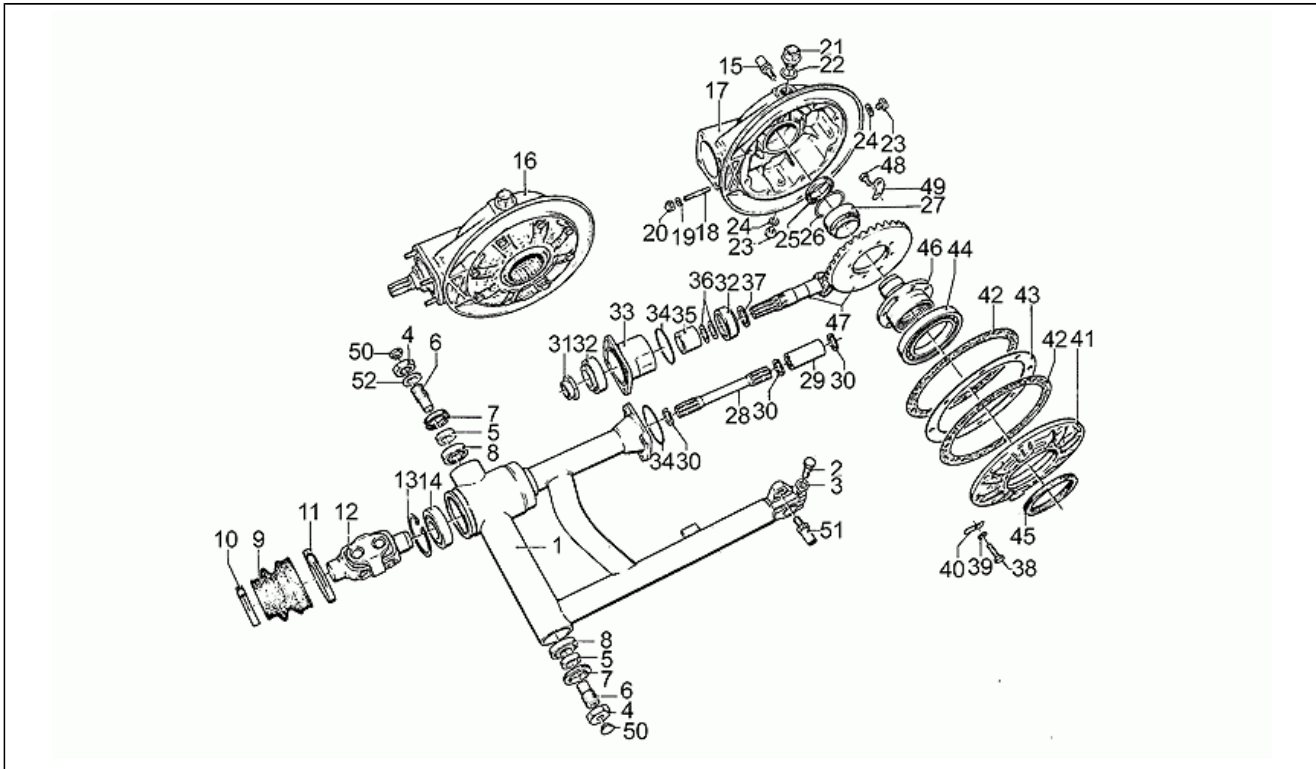
Pos.	Code	Description	Q.ty	Variants
29	GU98054220	Vis	2	
30	GU95000205	Rondelle	2	
31	GU95100059	Rondelle 5,25x14x1,5	4	
32	GU92630105	Ecrou	2	
33	GU92602206	Ecrou	2	
33	GU93301313	Cavalier	2	
36	GU92602206	Ecrou	2	
37	GU14751682	Clignotant arrière gauche	1	Pays:États Unis[USA]
37	GU17751652	Clignotant arrière gauche	1	
37	GU17751653	Clignotant arrière droit	1	
38	GU14018400	Rondelle 10,5X21X1	4	
39	GU19742050	Ecrou	2	
40	GU93180110	Bouchon	2	
41	GU98054416	Vis M8X16	2	
42	GU17741701	Catadioptr	1	
43	GU17740900	Phare AR cpl.	1	
44	GU39753771	Vitre clignotant	2	
45	GU98054520	Vis	1	
46	GU95100255	Rondelle	1	
47	GU17740364	Bloc démarreur	1	
48	GU17755860	Connecteur 4 voies	1	
49	GU14609650	Collier 3,6x20,6	2	
50	GU29746900	Câblage feu AV	1	
51	GU17755760	Capuchon	1	

Assembly	CHASSIS
Code	33.04
Description	Fourche arriere
Revision	1



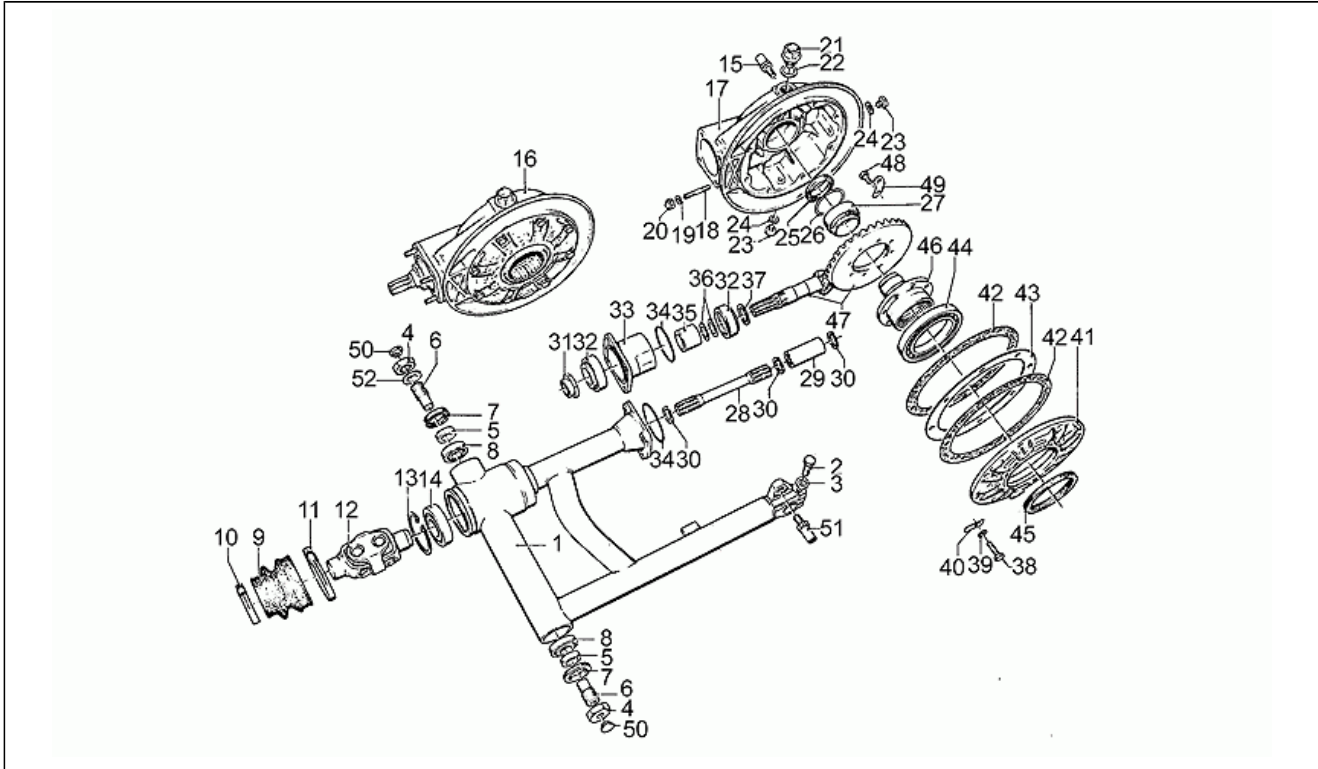
Pos.	Code	Description	Q.ty	Variants
1	GU29540200	Fourche arriere	1	
2	GU98052535	Vis	1	
3	GU95004210	Rondelle 10,2x18x2	1	
4	GU14547800	Ecrou	2	
5	GU12547200	Entretoise	2	
6	GU14547001	Pivot	2	
7	GU90403040	Bague d'étanchéité	2	
8	GU92249217	Roulement	2	
9	GU18548000	Collier de protection	1	
10	GU93305057	Collier 57x59,5x10	1	
11	GU93305078	Collier	1	
12	GU30328031	Joint	1	
13	GU90272062	Bague seeger	1	
14	GU92204230	Roulement à billes 30x62x16	1	
15	GU29555200	Pivot	1	
16	GU17350250	Carter de transmission	1	
17	GU28350345	Boîtier transm.brut	1	
18	GU96508045	Vis sans tête 8x46	4	
19	GU14615901	Rondelle 8,4x13x0,8	4	
20	GU92781081	Ecrou	4	
21	GU28351260	Bouchon huile	1	
22	GU95100709	Joint 20,1x28x2	1	
23	GU95980214	Bouchon niveau huile	1	
24	GU10528900	Garniture	2	
25	GU90403850	Bague d'étanchéité	1	
26	GU12351100	Bague d'étanchéité	1	
27	GU92254340	Roulement à rouleaux 40x55x17	1	
28	GU29326300	Arbre de transmission	1	

Assembly	CHASSIS
Code	33.04
Description	Fourche arriere
Revision	1



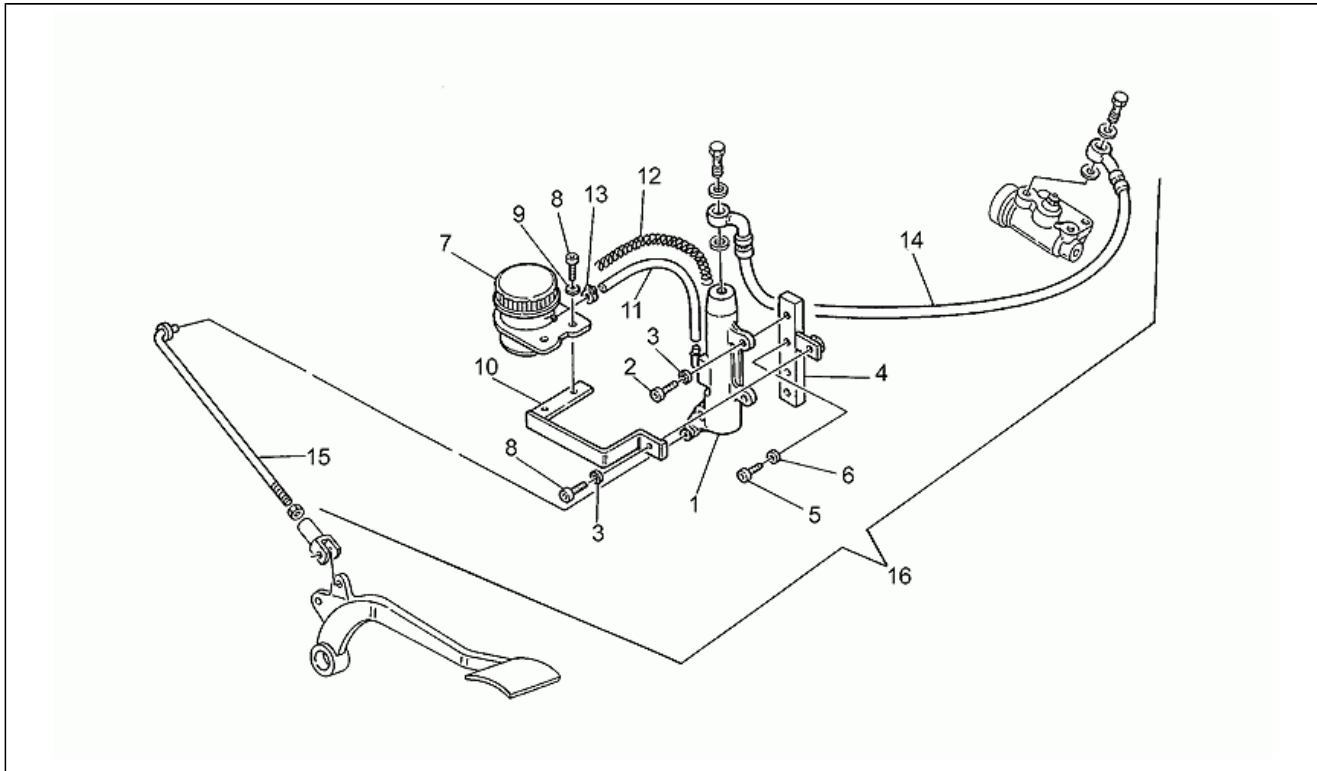
Pos.	Code	Description	Q.ty	Variants
29	GU12327700	Manchon	1	
30	GU90271020	Anneau élastique	3	
31	GU30356760	Ecrou	1	
32	GU92249227	Roulement roul.con. 25x5	2	
33	GU18352400	Flasque	1	
34	GU90706584	Joint 58,42x2,62	2	
35	GU18355100	Entretoise	1	
36	GU12355202	Rondelle ajustem. 0,1 mm	1	
36	GU12355203	Rondelle ajustem. 0,15 mm	1	
37	GU19355320	Cale 1 mm	1	
37	GU19355322	Cale 1,2 mm	1	
37	GU19355325	Cale 1,5 mm	1	
38	GU98054425	Vis M8X25	8	
39	GU61270300	Rondelle élastique 8x15x0,3	8	
40	GU95187008	Plaque	8	
41	GU17350400	Bride	1	
42	GU17350700	Joint	2	
43	GU17355400	Cale 0,8 mm	1	
43	GU17355402	Cale 0,9 mm	1	
43	GU17355404	Cale 1 mm	1	
43	GU17355406	Cale 1,1 mm	1	
43	GU17355408	Cale 1,2 mm	1	
43	GU17355410	Cale 1,3 mm	1	
43	GU17355412	Cale 1,5 mm	1	
44	GU92201070	Roulement à billes 70x110x13	1	
45	GU90407085	Bague d'étanchéité	1	
46	GU17351400	Bride de traction	1	
47	GU17354650	Couple conique Z=7/33	1	

Assembly	CHASSIS
Code	33.04
Description	Fourche arriere
Revision	1



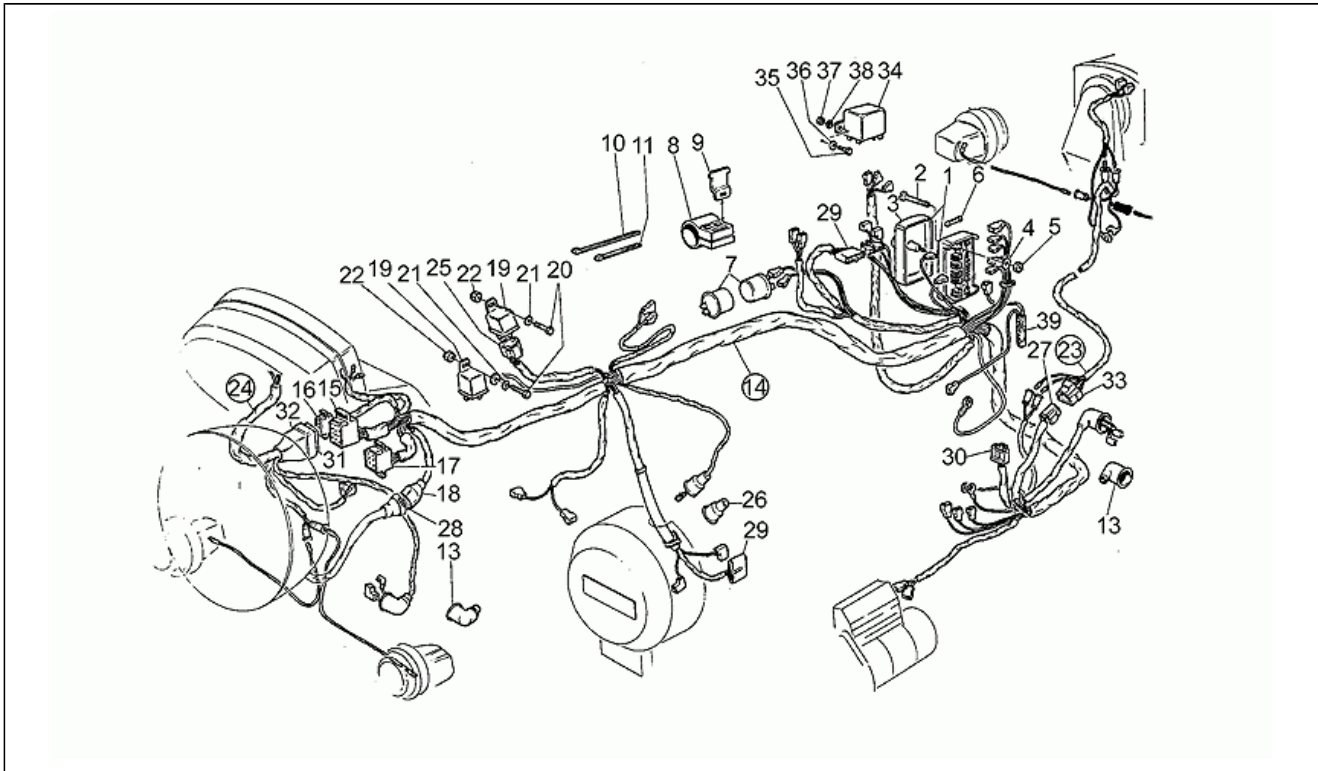
Pos.	Code	Description	Q.ty	Variants
48	GU12356300	Vis	8	
49	GU12356400	Plaquette de sécurité	4	
50	GU93180105	Bouchon	2	
51	GU29541850	Pivot	1	
52	GU95007208	Rondelle	2	

Assembly	CHASSIS
Code	33.05
Description	Kit pompe frein AR
Revision	1



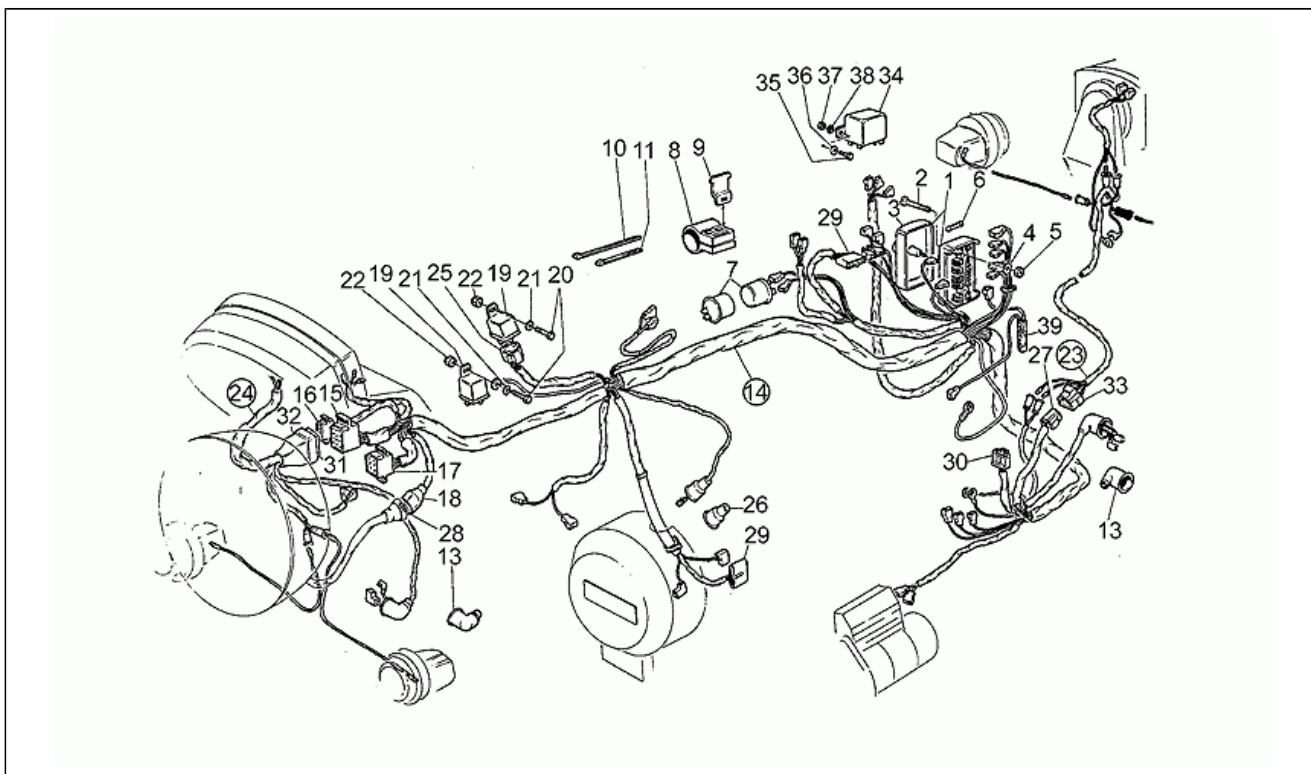
Pos.	Code	Description	Q.ty	Variants
1	GU30666960	Pompe frein arrière	1	
2	GU98622320	Vis	2	
3	GU14217901	Rondelle 6,4x10x0,7	3	
4	GU30666760	Plaque support	1	
5	GU98054412	Vis	2	
6	GU14615901	Rondelle 8,4X13X0,8	2	
7	GU65663500	Réserv. huile freins	1	
8	GU98622310	Vis	3	
9	GU95000206	Rondelle	2	
10	GU30666060	Plaq. réserv. huile	1	
11	GU00823950050	Tuyau huile	1	
12	GU30665860	Ressort	1	
13	GU19157800	Collier	2	
14	GU30658561	Tuyau frein arrière	1	
15	GU30675160	Tirant	1	
16	GU30999660	Kit pompe frein AR	1	

Assembly	CHASSIS
Code	33.06
Description	Circuit électrique
Revision	1



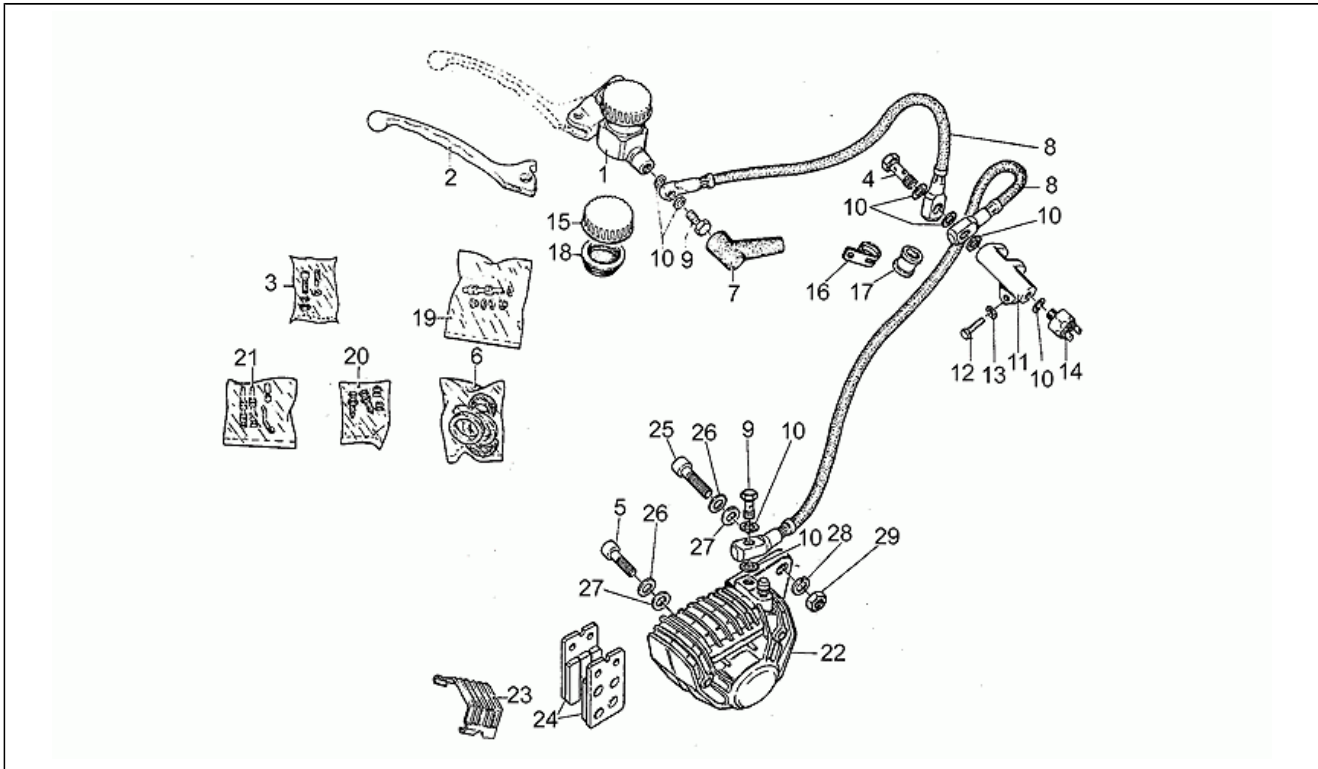
Pos.	Code	Description	Q.ty	Variants
1	GU17743000	Caoutchouc p-fusibles	1	
2	GU98202530	Vis	2	
3	GU17743100	Couvercle	1	
4	GU95000205	Rondelle	2	
5	GU92630105	Ecrou	2	
6	GU17742550	Fusible 16A	6	
7	GU17750520	Clignotement	2	
8	GU17751200	Bloc	1	
9	GU17750400	Plaque	1	
10	GU14609650	Collier 3,6x20,6	19	
11	GU49609601	Collier 2,4x92	1	
13	GU12735100	Capuchon	2	
14	GU14747155	Circuit électrique	1	
15	GU14756151	Connecteur 15 vie	1	
16	GU14755855	Connecteur 4 voies	1	
17	GU19723100	Connecteur 12 vie	1	
18	GU17756060	Capuchon	1	
19	GU19732500	Relais démarrage	2	
20	GU98054214	Vis	2	
21	GU95000205	Rondelle	2	
22	GU92630105	Ecrou	2	
23	GU29747600	Cablage	1	
24	GU23747290	Câblage tableau de bord	1	
25	GU19732400	Connecteur	1	
26	GU12717600	Capuchon	1	
27	GU14756250	Connecteur 3 vie	1	
28	GU17756160	Connecteur 4 voies	1	
29	GU61712500	Connecteur 3 vie	2	

Assembly	CHASSIS
Code	33.06
Description	Circuit électrique
Revision	1



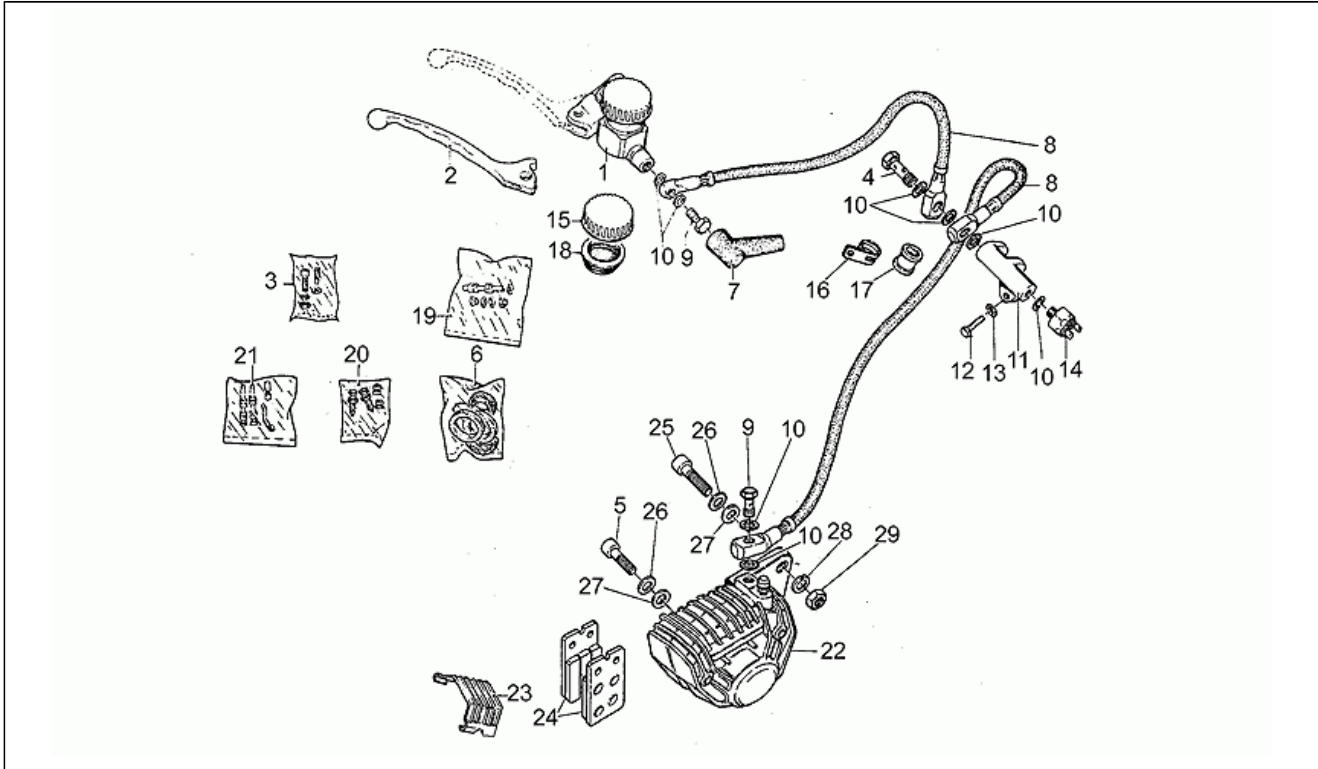
Pos.	Code	Description	Q.ty	Variants
30	GU61712600	Connecteur	1	
31	GU14756251	Connecteur 15 vie	1	
32	GU17756000	Capuchon	1	
33	GU14756152	Connecteur	1	
34	GU19732500	Relais démarrage	1	
35	GU98054210	Vis	1	
36	GU95000205	Rondelle	1	
37	GU92602205	Ecrou	1	
38	GU95021105	Rondelle évent.	1	
39	GU28727200	Résistance	1	

Assembly	CHASSIS
Code	33.07
Description	Sys.frein avant d.
Revision	1



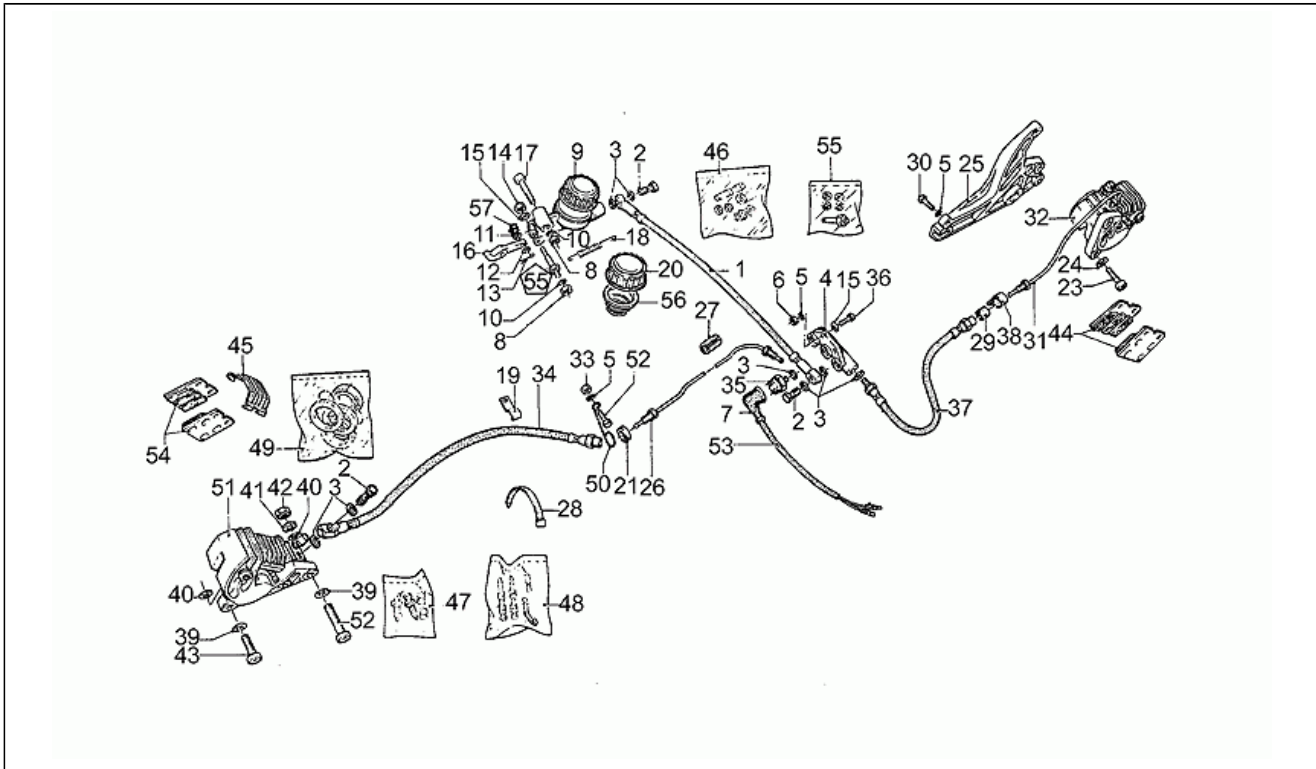
Pos.	Code	Description	Q.ty	Variants
1	GU28660178	Maît. cyl. frein AV	1	
2	GU17605652	Levier frein avant	1	
3	GU17659450	Kit révision levier	1	
4	GU95990034	Vis raccord tuyau huile	1	
5	GU98622530	Vis	1	
6	GU14659000	Kit révision pince	1	
7	GU39663801	Capuchon	1	
8	GU18657140	Tuyau	2	
9	GU95990028	Vis tuyau huile *	3	
10	GU25656100	Garniture	8	
11	GU14656800	Répartiteur	1	
12	GU98054320	Vis M6X20	1	
13	GU95004205	Rondelle	1	
14	GU25657001	Interrupteur stop	1	
15	GU17661152	Couvercle pompe	1	
16	GU17658460	Collier	1	
17	GU17658260	Bague	1	
18	GU17661052	Bouchon réservoir	1	
19	GU17659352	Kit rév. pompe AR	1	
19	GU92602210	Ecrou	1	
20	GU14659200	Kit révision purge	1	
21	GU14659100	Pivots+ressorts pince	1	
22	GU28652301	Pince frein	1	
23	GU17654760	Couvercle pince frein	1	
24	GU28654601	Plaquettes (couple) Frendo 222	2	
25	GU98620540	Vis M10X40	1	
26	GU95004210	Rondelle 10,2x18x2	2	
27	GU95100332	Rondelle d'appui 0,5 mm	1	

Assembly	CHASSIS
Code	33.07
Description	Sys.frein avant d.
Revision	1



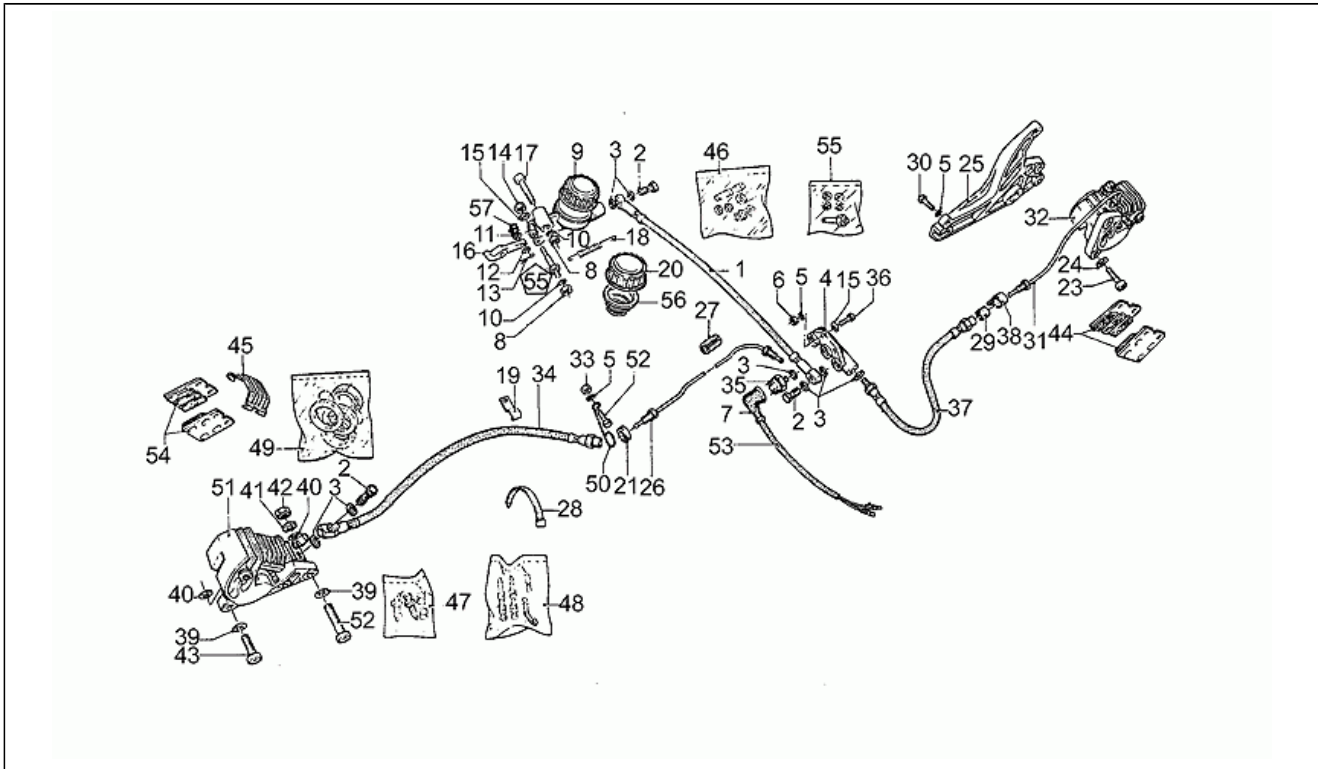
Pos.	Code	Description	Q.ty	Variants
27	GU95100333	Rondelle d'appui 0,8 mm	1	
28	GU95129180	Rondelle 10,5X18X0,8	1	
29	GU92602210	Ecrou	1	

Assembly	CHASSIS
Code	33.08
Description	Sys.frein avant g.
Revision	1



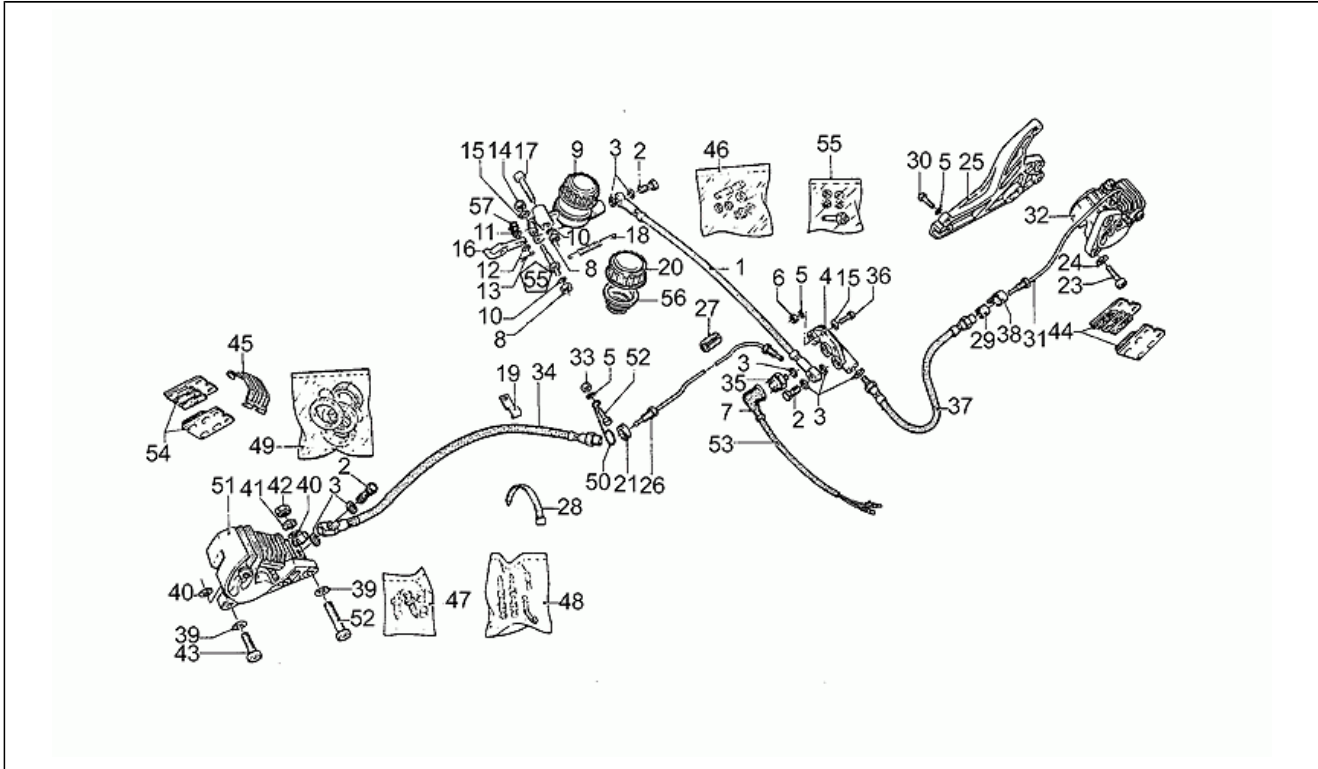
Pos.	Code	Description	Q.ty	Variants
1	GU17658550	Tuyau	1	
1	GU18658560	Répartiteur AR	1	Pays:Allemagne[D]
2	GU95990028	Vis tuyau huile *	3	
3	GU25656100	Garniture	8	
4	GU18658560	Répartiteur AR	1	Pays:Allemagne[D]
4	GU28668145	Répartiteur	1	
5	GU95021106	Rondelle évent.	5	
6	GU92602206	Ecrou	4	
7	GU12735100	Capuchon	1	
8	GU92602208	Ecrou M8X1,25	2	
9	GU29667000	Maît.cyl. frein AR	1	Spécifications techniques:See spare parts comm.n.025 of 1999[02599N], Exhausted-order 30999660[ES1]
10	GU95021108	Rondelle élastique	2	
11	GU95129130	Rondelle élastique	1	
12	GU95100173	Rondelle 7,5x13x1	1	
13	GU95500222	Goupille	2	
14	GU92630206	Ecrou M6x1	5	
15	GU95000206	Rondelle	7	
16	GU17667550	Levier commande pompe	1	
17	GU98620440	Vis M8X40	1	
18	GU17667650	Ressort	1	
19	GU93301313	Cavalier	1	
20	GU14661100	Couvercle	1	
21	GU91551120	Bague	1	
23	GU98622530	Vis	4	
24	GU95004210	Rondelle 10,2x18x2	2	
25	GU18635860	Etrier pince frein AR	1	
26	GU17658750	Tuyau	1	

Assembly	CHASSIS
Code	33.08
Description	Sys.frein avant g.
Revision	1



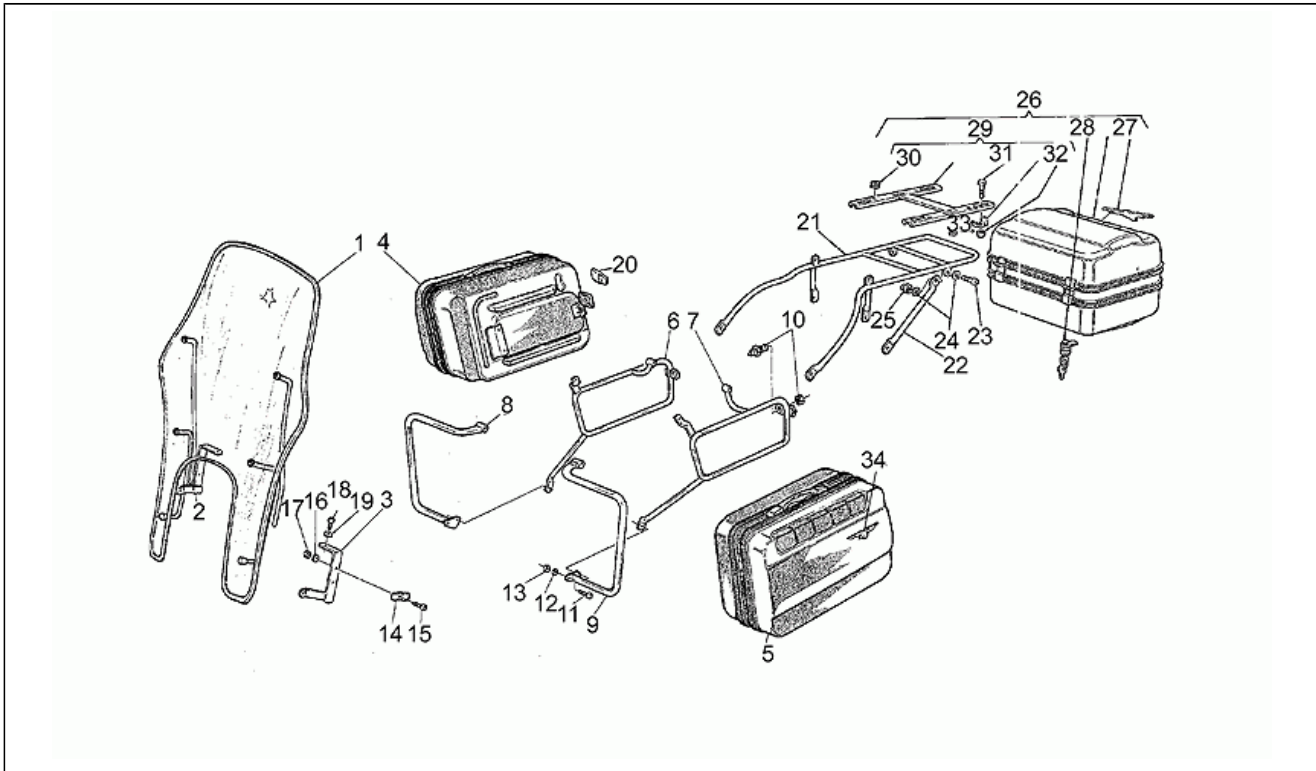
Pos.	Code	Description	Q.ty	Variants
27	GU17659650	Segment d'étanchéité	1	
28	GU14609650	Collier 3,6x20,6	2	
29	GU90716142	Anneau élastique	1	
30	GU98054314	Vis	1	
31	GU17658650	Tuyau	1	
32	GU18653060	Pince frein d.48	1	Pays:Allemagne[D]
32	GU28652301	Pince frein	1	
33	GU92630106	Ecrou M6x1	1	
34	GU14658851	Tuyau	1	
35	GU63657000	Interrupteur	1	
36	GU98054320	Vis M6X20	2	
37	GU17657550	Tuyau	1	
38	GU62436500	Collier	1	
39	GU95004210	Rondelle 10,2x18x2	4	
40	GU95100332	Rondelle d'appui 0,5 mm	1	
40	GU95100333	Rondelle d'appui 0,8 mm	1	
41	GU95129180	Rondelle 10,5X18X0,8	1	
42	GU92602210	Ecrou	1	
43	GU98622530	Vis	1	
44	GU28654601	Plaquettes (couple) Frendo 222	1	
45	GU17654760	Couvercle pince frein	2	
46	GU17659350	Kit révision pompe	1	
47	GU17659260	Purge+capuchon	1	
48	GU14659100	Pivots+ressorts pince	1	
48	GU18659150	Pivots+ressorts pince	1	Pays:Allemagne[D]
49	GU14659000	Kit révision pince	1	
49	GU18659050	Kit révision pince	1	Pays:Allemagne[D]
50	GU28659750	Oeillet	1	

Assembly	CHASSIS
Code	33.08
Description	Sys.frein avant g.
Revision	1



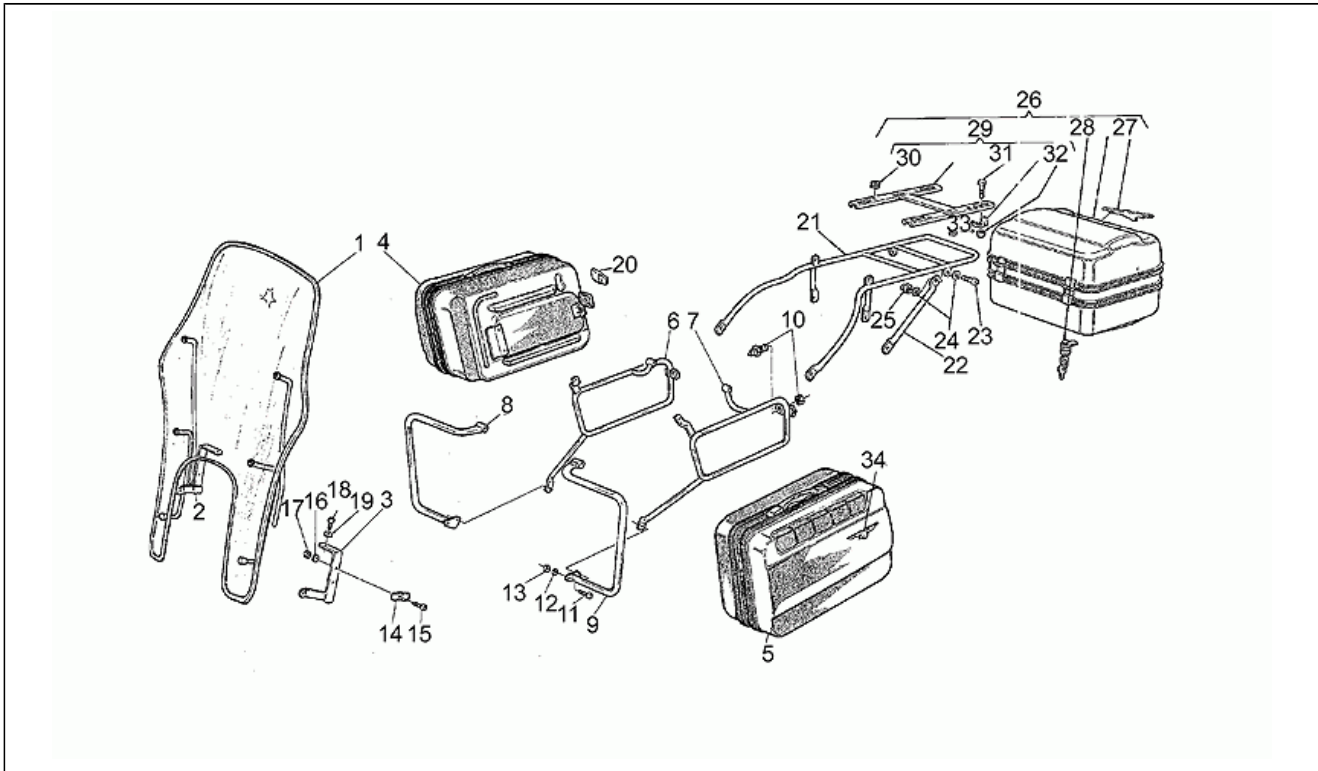
Pos.	Code	Description	Q.ty	Variants
51	GU28653001	Pince frein AV D	1	
52	GU98620540	Vis M10X40	1	
53	GU17747550	Câblage interr. stop	1	
54	GU28654601	Plaquettes (couple) Frendo 222	1	
55	GU14659450	Kit plaquettes	1	
56	GU14661300	Membrane	1	
57	GU17667751	Bague	1	

Assembly	CHASSIS
Code	33.09
Description	Kit valises-pare-brise
Revision	1



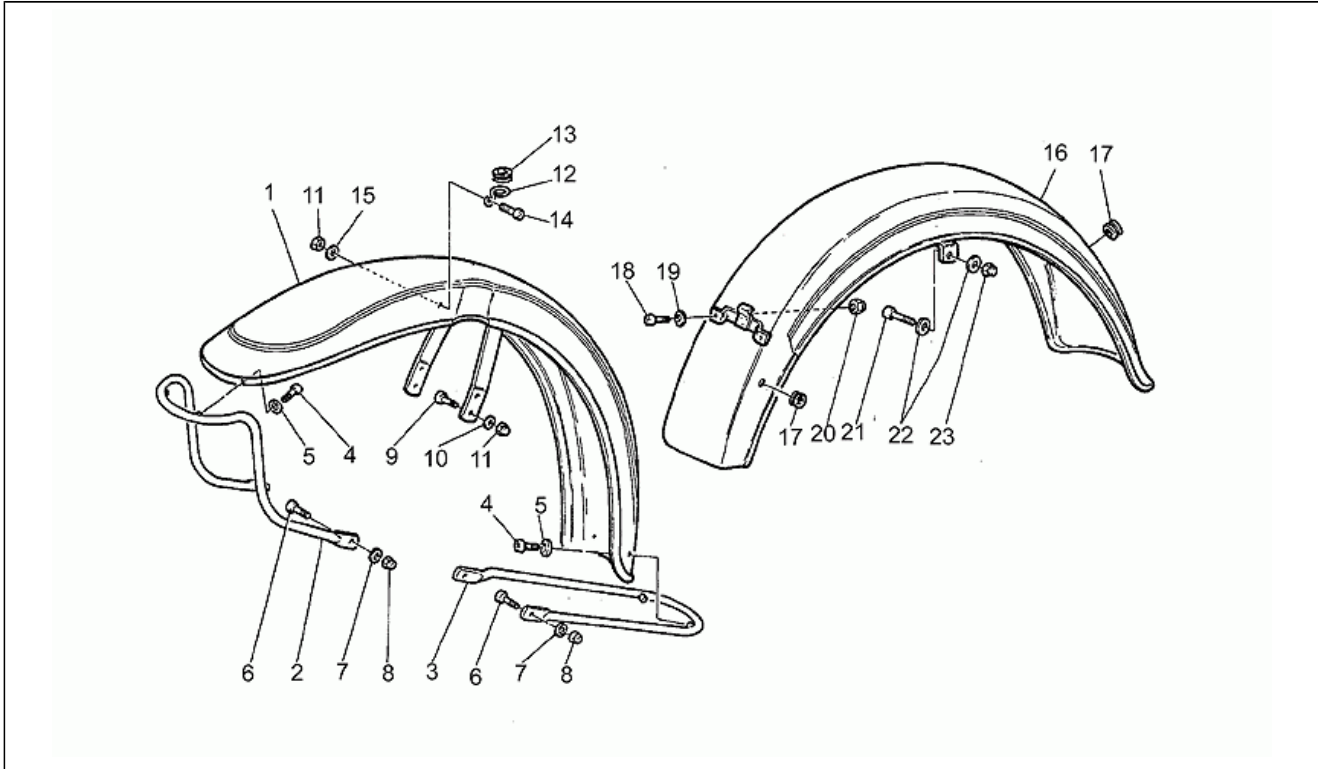
Pos.	Code	Description	Q.ty	Variants
1	GU29577200	Pare-brise cpl.	1	
2	GU29506800	Bride droite	1	
3	GU29506900	Bride gauche	1	
4	GU29999260	Suitcase kit	1	
5	GU29999260	Suitcase kit	1	
6	GU29485000	Support droite	1	
7	GU29486500	Support gauche	1	
8	GU29458201	Pare-chocs AR D	1	
9	GU29458801	Pare-chocs AR G	1	
10	GU29486100	Vis complete	2	
11	GU98822420	Vis	2	
12	GU95021108	Rondelle élastique	4	
13	GU92602208	Ecrou M8X1,25	4	
14	GU18578451	Bride	4	
15	GU98074425	Vis	4	
16	GU95021108	Rondelle élastique	4	
17	GU92601208	Ecrou	4	
18	GU98074416	Vis	2	
19	GU95001208	Rondelle	2	
20	GU29484000	Kit serrures sacs	2	
21	GU29466520	Porte-bagages	1	Pays:États Unis[USA]
22	GU29467320	Bride	2	Pays:États Unis[USA]
23	GU98054316	Vis M6X16	2	Pays:États Unis[USA]
24	GU95004206	Rondelle 6,15x11x0,8	4	Pays:États Unis[USA]
25	GU92781081	Ecrou	2	Pays:États Unis[USA]
26	GU29487620	Coffre AR	1	Pays:États Unis[USA]
27	GU29482000	Décalco "Aquila"	3	Pays:États Unis[USA]
28	GU29753821	Serrure coffre AR	1	Pays:États Unis[USA]

Assembly	CHASSIS
Code	33.09
Description	Kit valises-pare-brise
Revision	1



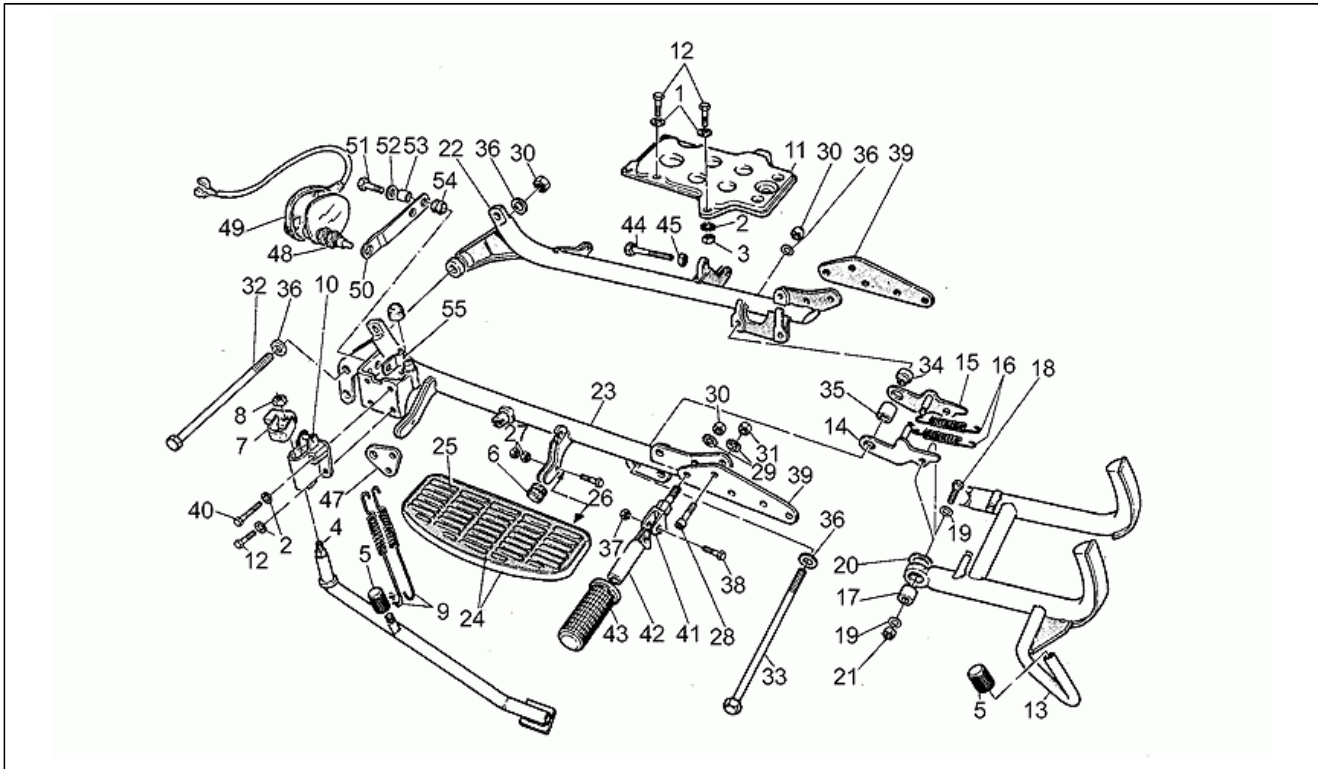
Pos.	Code	Description	Q.ty	Variants
29	GU29753822	AR.support	1	Pays:États Unis[USA]
30	GU91551082	Caoutchouc	4	Pays:États Unis[USA]
31	GU98052335	Vis	4	Pays:États Unis[USA]
32	GU92602206	Ecrou	4	Pays:États Unis[USA]
33	GU95000206	Rondelle	8	Pays:États Unis[USA]
34	GU29482000	Décalco "Aquila"	2	

Assembly	CHASSIS
Code	33.10
Description	Garde-boue
Revision	1



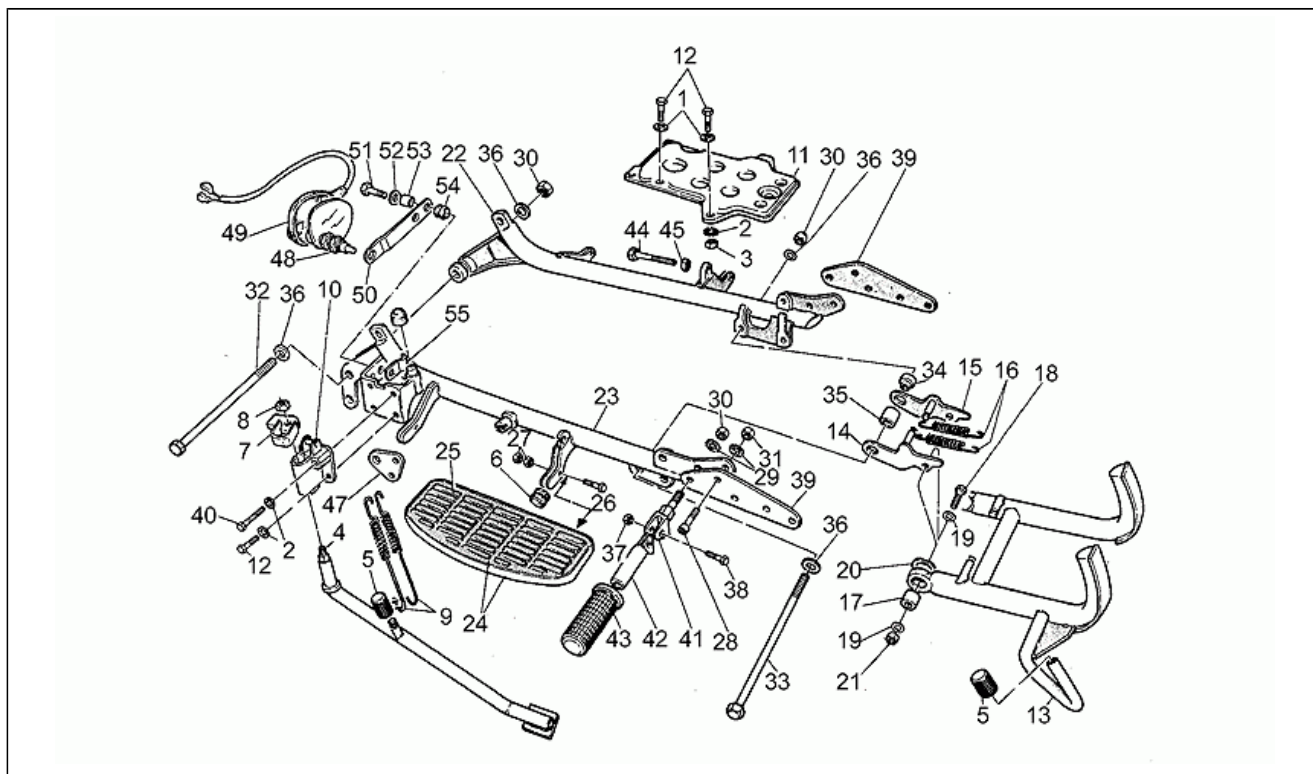
Pos.	Code	Description	Q.ty	Variants
1	GU29434301	Garde-boue Av.	1	Couleur:Noir[b]
1	GU29434302	Garde-boue Av.	1	Couleur:Rouge[r]
1	GU29434303	Garde-boue Av.	1	Couleur:White[w]
2	GU29435700	Support sup.	1	
3	GU29435900	Support inf.	1	
4	GU98822314	Vis	4	
5	GU95100121	Rondelle 5,3x10x0,5	4	
6	GU98822425	Vis	4	
7	GU61270300	Rondelle élastique 8x15x0,3	4	
8	GU92781081	Ecrou	4	
9	GU98822318	Vis	4	
10	GU61013800	Rondelle spéciale	4	
11	GU92781062	Ecrou	6	
12	GU55436525	Oeillet	2	
13	GU91551131	Caoutchouc	2	
14	GU98822310	Vis M6x10	2	
15	GU95021106	Rondelle évent.	2	
16	GU29437002	Garde-boue Ar.	1	Couleur:Noir[b]
16	GU29437003	Garde-boue Ar.	1	Couleur:Rouge[r]
16	GU29437004	Garde-boue Ar.	1	Couleur:White[w]
17	GU91551102	Passe-câble	2	
18	GU98052450	Vis	2	
18	GU98052455	Vis	2	Pays:États Unis[USA]
19	GU95004208	Rondelle	2	
20	GU92781081	Ecrou	2	
21	GU98822425	Vis	2	
22	GU95021108	Rondelle élastique	4	
23	GU92602208	Ecrou M8X1,25	2	

Assembly	CHASSIS
Code	33.11
Description	R.pieds - Béquilles
Revision	1



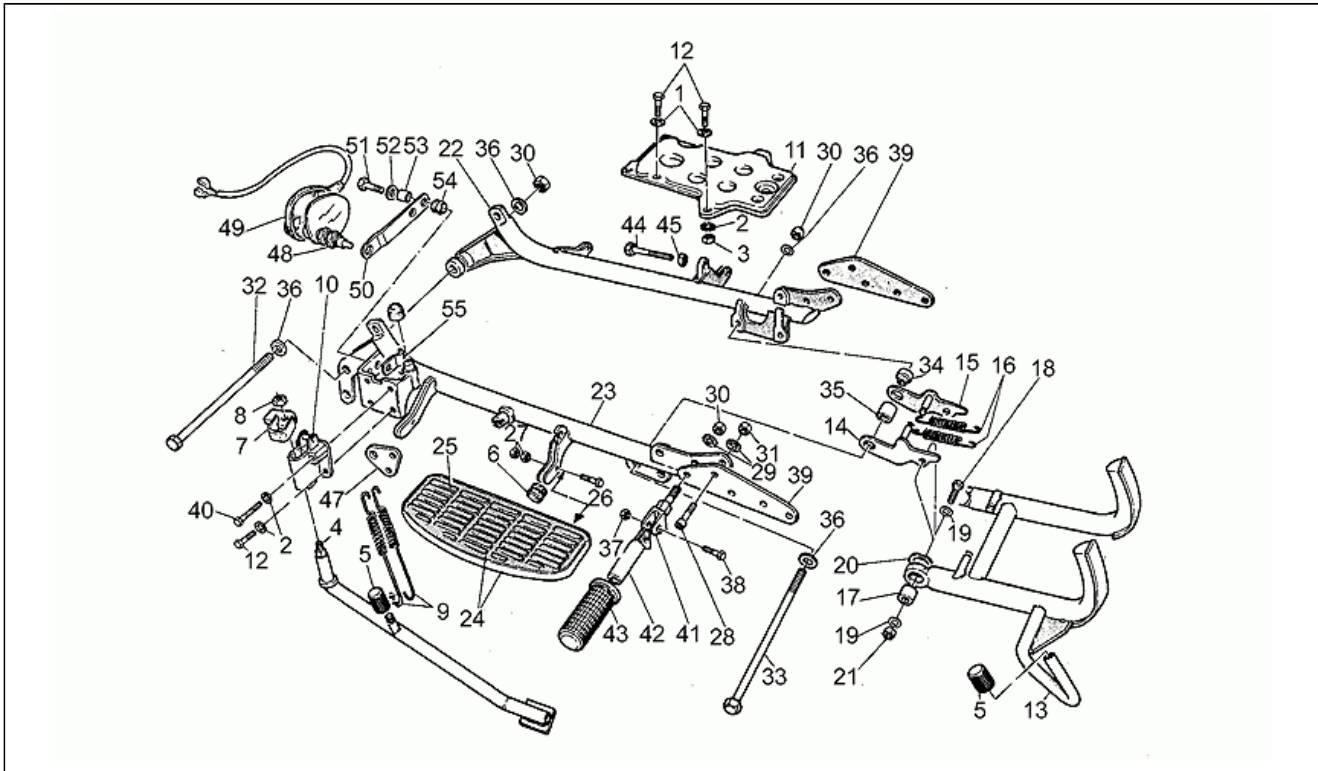
Pos.	Code	Description	Q.ty	Variants
1	GU95004208	Rondelle	7	
2	GU95021108	Rondelle élastique	9	
3	GU92602208	Ecrou M8X1,25	11	
4	GU29432000	Béquille latérale	1	
4	GU29432020	Béquille latérale	1	Pays: États Unis[USA] Spécifications techniques:A' partir du chassis VT17500[T2]
5	GU13432640	Pédale en caoutch.	3	
6	GU12433000	Tampon	1	
7	GU29432800	Plaque	1	
8	GU92781100	Ecrou	1	
9	GU14434000	Ressort	2	
10	GU13433440	Bloc	1	
11	GU14418200	Plaque	1	
12	GU98054416	Vis M8X16	10	
13	GU30430360	Béquille centrale	1	
14	GU14433200	Plaque g.	1	
15	GU14432900	Plaque d.	1	
16	GU18434060	Ressort	2	
17	GU14433500	Douille g.	2	
18	GU98052545	Vis	2	
19	GU95004210	Rondelle 10,2x18x2	2	
20	GU14433400	Rondelle élastique 19x34x1,5	2	
21	GU92630110	Ecrou M10X1,5	2	
22	GU184203501	Bras d.	1	
22	GU29420320	Bras d.	1	Pays: États Unis[USA] Spécifications techniques:A' partir du chassis VT17500[T2]
23	GU184221501	Bras g.	1	
23	GU29422120	Bras g.	1	Pays: États Unis[USA] Spécifications techniques:A' partir du chassis VT17500[T2]

Assembly	CHASSIS
Code	33.11
Description	R.pieds - Béquilles
Revision	1



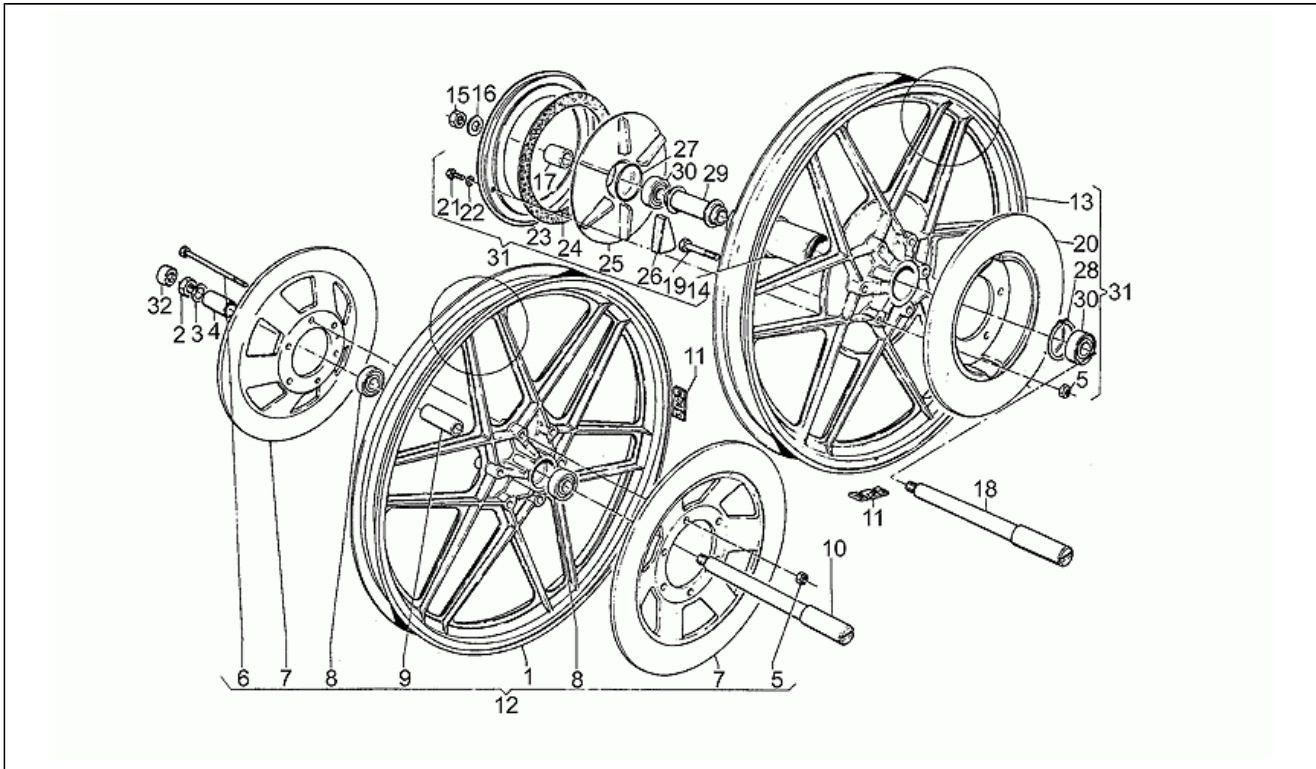
Pos.	Code	Description	Q.ty	Variants
24	GU29443450	Repose-p. AV cpl.	2	
25	GU18447050	Caoutchouc rep-pieds	2	
26	GU98107035	Vis	4	
27	GU92700073	Ecrou	8	
28	GU98623630	Vis M12X30	2	
29	GU95021112	Rondelle évent.	4	
30	GU92602312	Ecrou	8	
31	GU92602512	Ecrou bas M12x1,25	1	
32	GU14429500	Pivot	1	
33	GU14429600	Vis	1	
34	GU14429900	Entretoise externe g.	2	
35	GU14429800	Entretoise	2	
36	GU95000213	Rondelle	4	
37	GU92602206	Ecrou	2	
38	GU98052325	Vis	4	
39	GU18423950	Plaque	2	
40	GU98052440	Vis	1	
41	GU18445450	Support marchepied	2	
42	GU144413501	Repose-pied	2	
43	GU14443200	Caoutchouc rep-pieds	2	
44	GU98064345	Vis	1	
45	GU92603206	Ecrou	1	
47	GU18432760	Plaque	1	
48	GU29755400	Connecteur bobines	1	
49	GU18759650	Capuchon	1	
50	GU18759351	Bride	1	
51	GU98054320	Vis M6X20	2	
52	GU95100139	Rondelle 6,5X17X1.5	2	

Assembly	CHASSIS
Code	33.11
Description	R.pieds - Béquilles
Revision	1



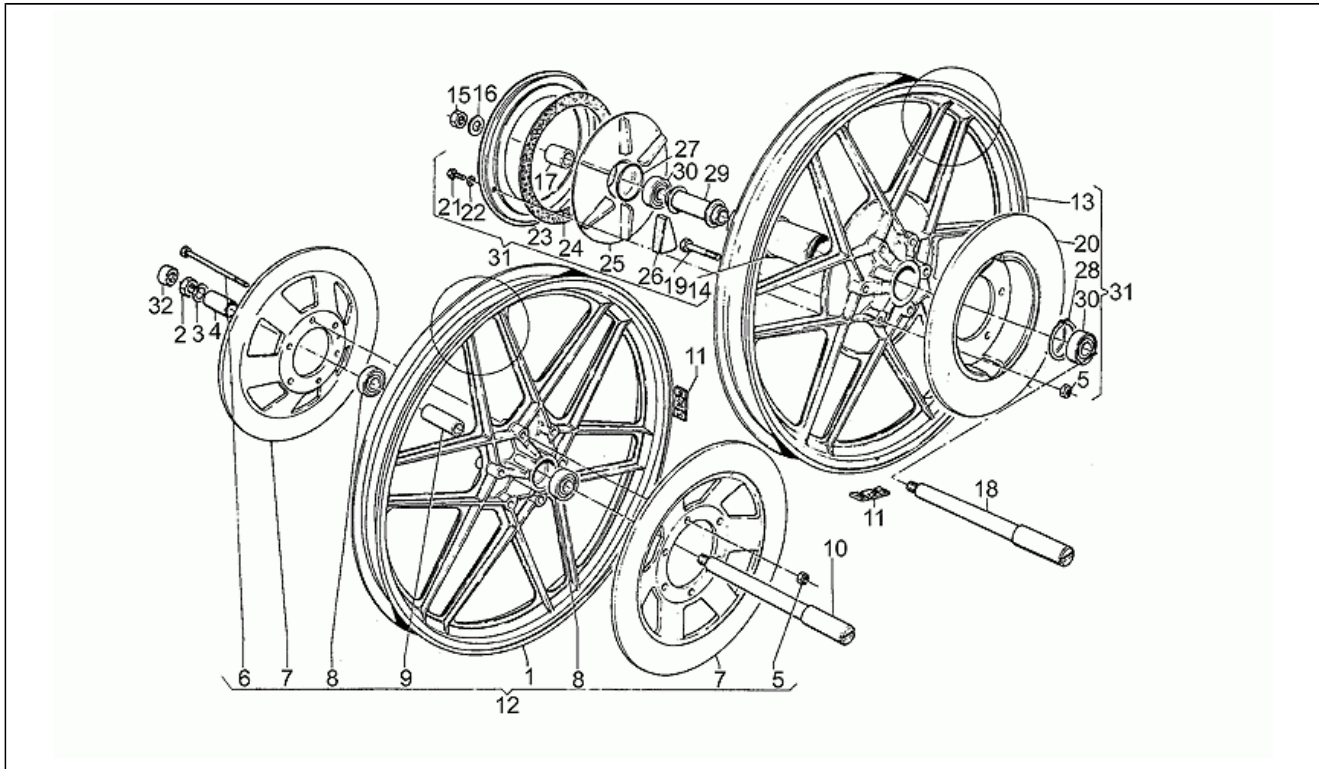
Pos.	Code	Description	Q.ty	Variants
53	GU91180607	Entretoise	2	
54	GU91551085	Caoutchouc	2	
55	GU93301313	Cavalier	2	

Assembly	CHASSIS
Code	33.12
Description	Roues
Revision	1



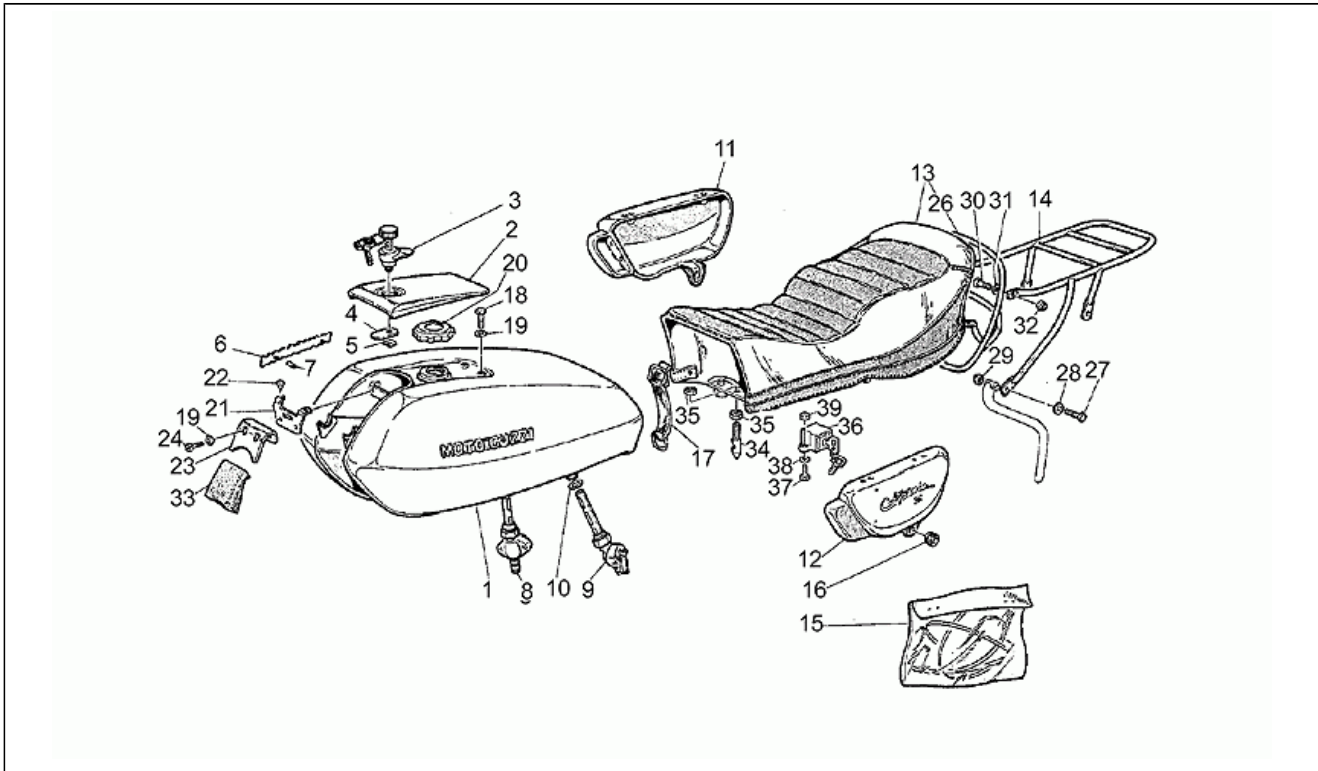
Pos.	Code	Description	Q.ty	Variants
1	GU17610360	Roue Av.	1	
2	GU92602516	Ecrou M16X1,5	1	
3	GU95004217	Rondelle 17X27X2	1	
4	GU17616360	Entretoise	1	
5	GU92630508	Ecrou	12	
6	GU98052499	Vis	6	
7	GU28613345	Disque frein avant	2	
8	GU92204221	Roulement	2	
9	GU17615360	Entretoise interne roulements	1	
10	GU17614160	Axe de roue AV	1	
11	GU14616150	Contrepoids	2	
12	GU17610360	Roue Av.	1	
13	GU14630650	Roue arrière	1	
14	GU14632250	Moyeu	1	
15	GU92602316	Ecrou M6X1,5	1	
16	GU14634400	Rondelle	1	
17	GU17634150	Entretoise	1	
18	GU29633300	Pivot	1	
19	GU98052445	Vis	6	
20	GU14635750	Disque frein arrière	1	
21	GU98054320	Vis M6X20	3	
22	GU95021106	Rondelle évent.	3	
23	GU14335650	Bride	1	
24	GU14335350	Bague	1	
25	GU14335203	Disque piece en caoutchouc	1	
26	GU01336800	Joint flexible	12	
27	GU90706490	Joint torique	1	
28	GU90271055	Bague seeger	1	

Assembly	CHASSIS
Code	33.12
Description	Roues
Revision	1



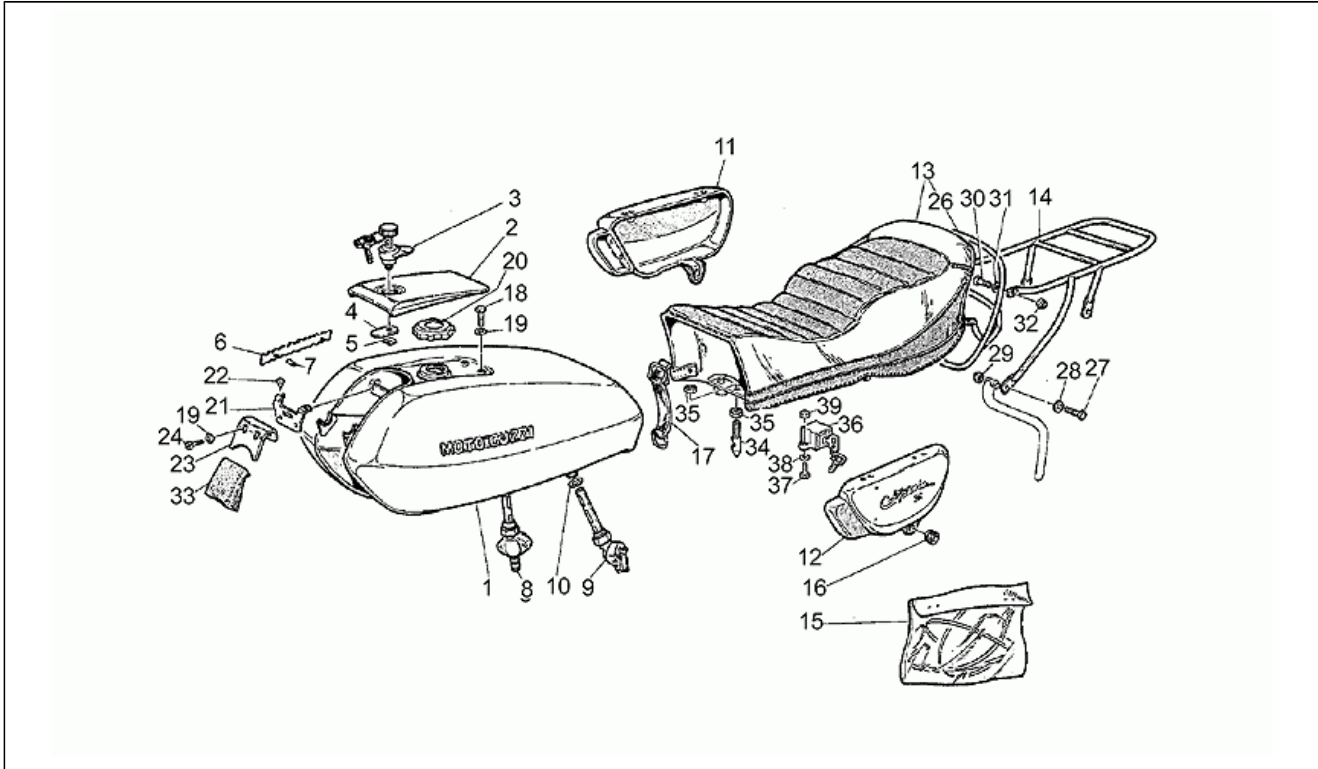
Pos.	Code	Description	Q.ty	Variants
29	GU14634050	Entretoise interne roulements	1	
30	GU92204220	Roulement à billes 20X47X14	2	
31	GU14630650	Roue arrière	1	
32	GU14498550	Bouchon	1	

Assembly	CHASSIS
Code	33.13
Description	Rés.-selle(d.ch.VT175000)
Revision	1



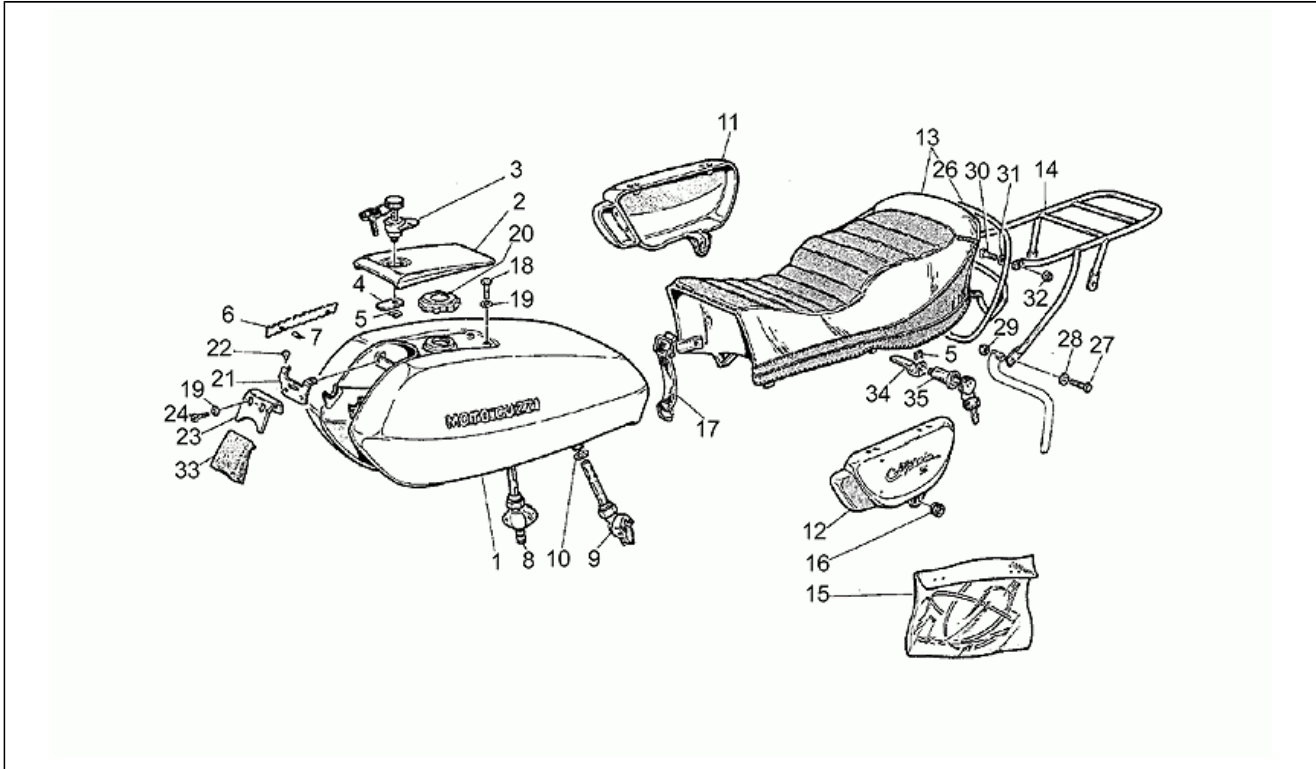
Pos.	Code	Description	Q.ty	Variants
1	GU29100201	Reservoir carburant	1	Couleur:Noir[b]
1	GU29100202	Reservoir carburant	1	Couleur:Rouge[r]
1	GU29100203	Reservoir carburant	1	Couleur:White[w]
2	GU18104000	Couvercle réservoir	1	Couleur:Rouge[r]
2	GU29104001	Couvercle réservoir	1	Couleur:Noir[b]
2	GU29104003	Couvercle réservoir	1	Couleur:White[w]
3	GU14736856	Serrures	1	
4	GU18105001	Languette	1	
5	GU19104950	Collier	2	
6	GU14917300	Décalco "Moto Guzzi"	2	
7	GU14105100	Agrafe	8	
8	GU17105460	Robinet ess. d.	1	
9	GU17105461	Robinet ess. g.	1	
10	GU90714103	Joint	2	
11	GU29476201	Aile D	1	Couleur:Noir[b]
11	GU29476202	Aile D	1	Couleur:Rouge[r]
11	GU29476203	Aile D	1	Couleur:White[w]
12	GU29476301	Aile G	1	Couleur:Noir[b]
12	GU29476302	Aile G	1	Couleur:Rouge[r]
12	GU29476303	Aile G	1	Couleur:White[w]
13	GU29460501	Selle	1	
13	GU29460520	Selle	1	Pays:États Unis[USA]
14	GU29466500	Porte-bagages	1	
15	GU29923300	Décalco série	1	
16	GU91551082	Caoutchouc	2	
17	GU14102600	Elastique de fixation	1	
18	GU98054210	Vis	2	
19	GU95129100	Rondelle élastique 5,3X10X0,5	4	

Assembly	CHASSIS
Code	33.13
Description	Rés.-selle(d.ch.VT175000)
Revision	1



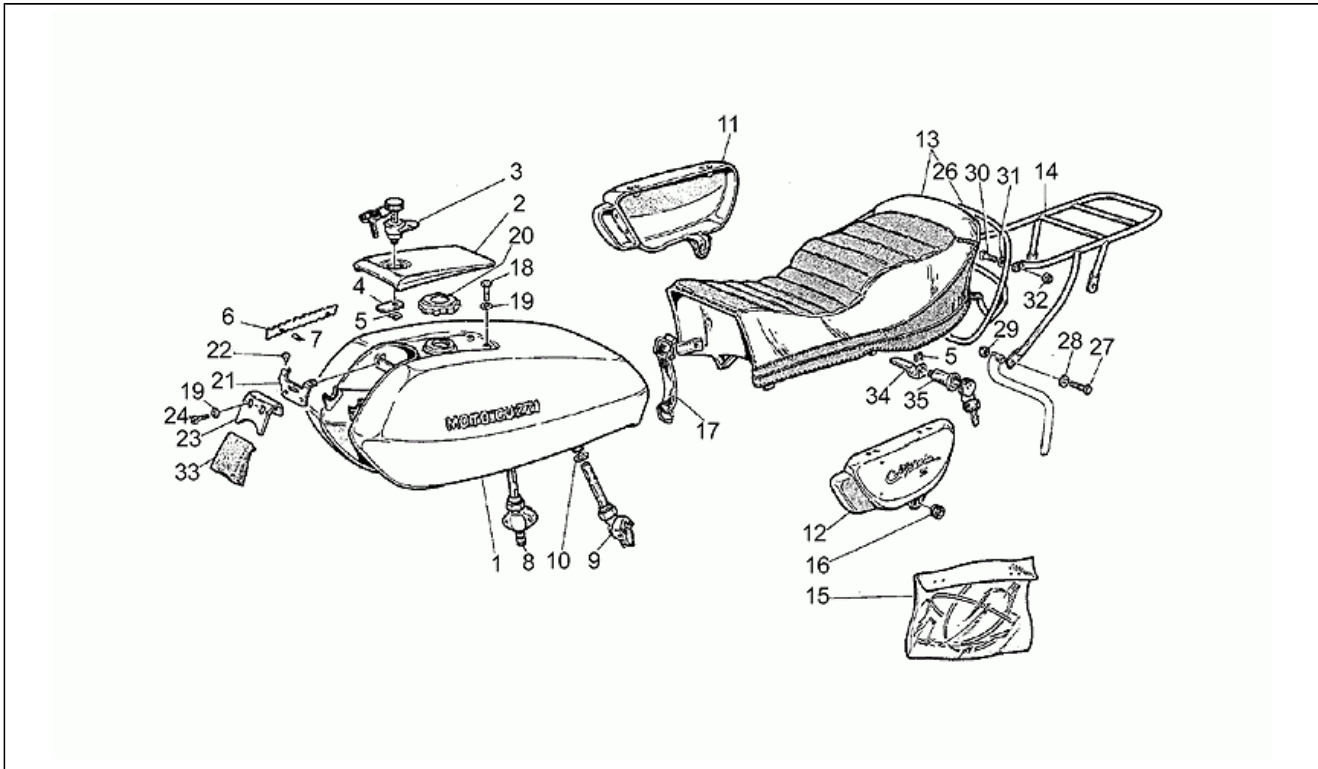
Pos.	Code	Description	Q.ty	Variants
20	GU28103946	Bouchon réservoir	1	
21	GU141022551	Bride	1	Couleur:Noir[b]
21	GU141022551	Bride	1	Couleur:White[w]
21	GU141022551	Bride	1	Couleur:Rouge[r]
22	GU93180706	Caoutchouc	2	
23	GU17101242	Plaque	1	Couleur:Rouge[r]
23	GU29101200	Plaque	1	Couleur:Noir[b]
23	GU29101201	Plaque	1	Couleur:White[w]
24	GU98202510	Vis	2	
26	GU29464300	Selle - Poignée	1	
26	GU29464320	Selle - Poignée	1	Pays:États Unis[USA]
27	GU98052490	Vis m8x90	2	
28	GU95021108	Rondelle élastique	4	
29	GU92602208	Ecrou M8X1,25	4	
30	GU98054422	Vis M8X22	2	
31	GU61270300	Rondelle élastique 8x15x0,3	2	
32	GU92630108	Ecrou	2	
33	GU14575970	Protection caotch.	1	
34	GU29462920	Pivot fixation	1	Pays:États Unis[USA]
35	GU92602210	Ecrou	2	Pays:États Unis[USA]
36	GU27468720	Serrure	1	Pays:États Unis[USA]
37	GU98054216	Vis	2	Pays:États Unis[USA]
38	GU95000205	Rondelle	2	Pays:États Unis[USA]
39	GU92630105	Ecrou	2	Pays:États Unis[USA]

Assembly	CHASSIS
Code	33.14
Description	Réservoir-selle
Revision	1



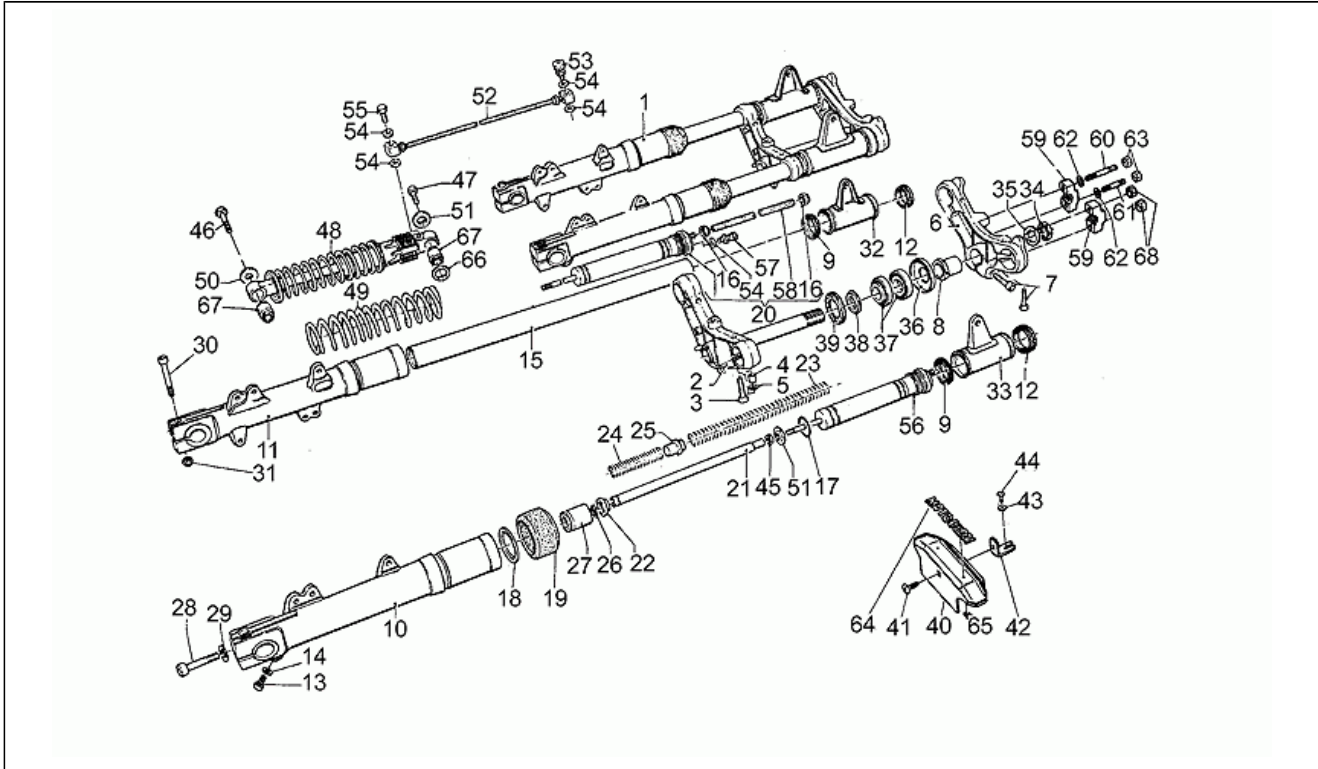
Pos.	Code	Description	Q.ty	Variants
1	GU29100201	Reservoir carburant	1	Couleur:Noir[b]
1	GU29100202	Reservoir carburant	1	Couleur:Rouge[r]
1	GU29100203	Reservoir carburant	1	Couleur:White[w]
2	GU18104000	Couvercle réservoir	1	Couleur:Rouge[r]
2	GU29104001	Couvercle réservoir	1	Couleur:Noir[b]
2	GU29104003	Couvercle réservoir	1	Couleur:White[w]
3	GU14736856	Serrures	1	
4	GU18105001	Languette	1	
5	GU19104950	Collier	2	
6	GU14917300	Décalco "Moto Guzzi"	2	
7	GU14105100	Agrafe	8	
8	GU17105460	Robinet ess. d.	1	
9	GU17105461	Robinet ess. g.	1	
10	GU90714103	Joint	2	
11	GU29476201	Aile D	1	Couleur:Noir[b]
11	GU29476202	Aile D	1	
11	GU29476203	Aile D	1	Couleur:White[w]
12	GU29476301	Aile G	1	Couleur:Rouge[r]
12	GU29476302	Aile G	1	Couleur:Noir[b]
12	GU29476303	Aile G	1	Couleur:Rouge[r]
13	GU29460500	Selle	1	Couleur:White[w]
14	GU29466500	Porte-bagages	1	
15	GU29923300	Décalco série	1	
16	GU91551082	Caoutchouc	2	
17	GU14102600	Elastique de fixation	1	
18	GU98054210	Vis	2	
19	GU95129100	Rondelle élastique 5,3X10X0,5	4	
20	GU28103946	Bouchon réservoir	1	

Assembly	CHASSIS
Code	33.14
Description	Réservoir-selle
Revision	1



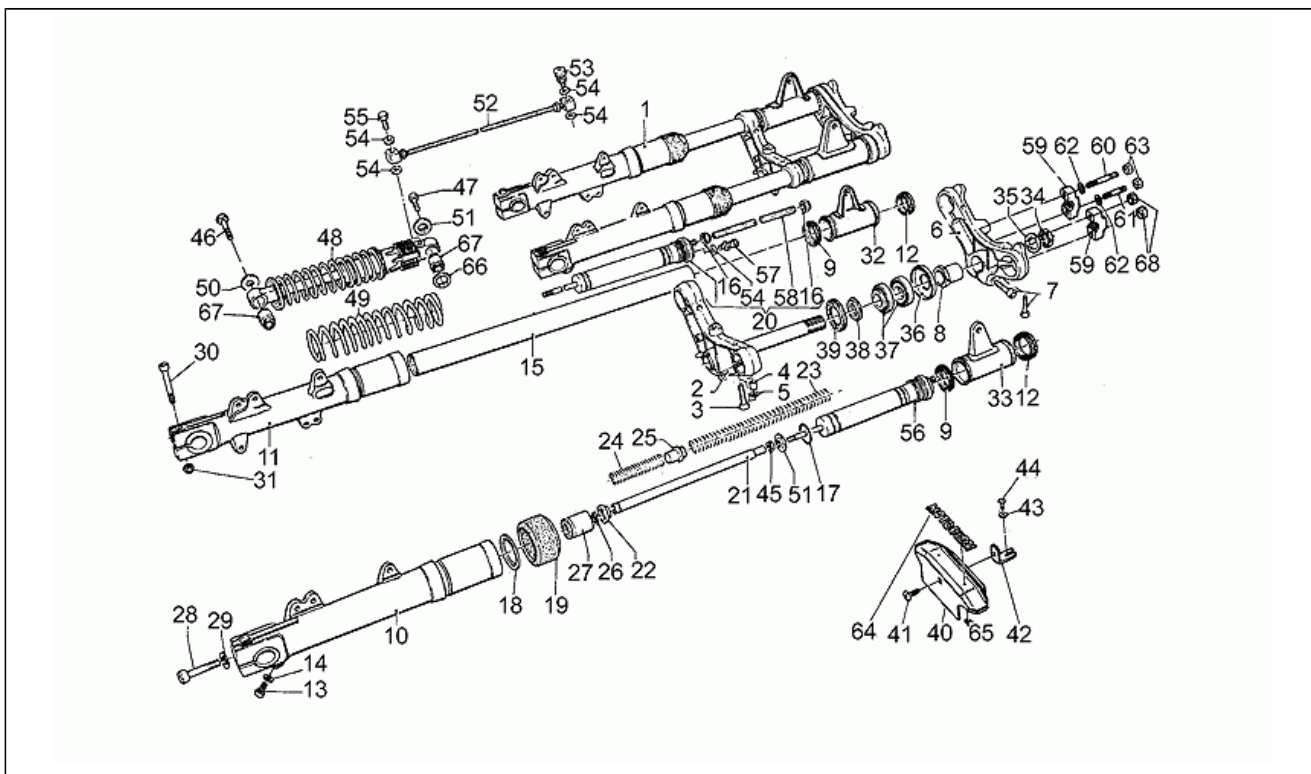
Pos.	Code	Description	Q.ty	Variants
21	GU17102242	Bride	1	Couleur:Rouge[r]
21	GU29102200	Bride	1	Couleur:Noir[b]
21	GU29102201	Bride	1	Couleur:White[w]
22	GU93180706	Caoutchouc	2	
23	GU17101242	Plaque	1	Couleur:Rouge[r]
23	GU29101200	Plaque	1	Couleur:Noir[b]
23	GU29101201	Plaque	1	Couleur:White[w]
24	GU98202510	Vis	2	
26	GU29464300	Selle - Poignée	1	
27	GU98052490	Vis m8x90	2	
28	GU95021108	Rondelle élastique	4	
29	GU92602208	Ecrou M8X1,25	4	
30	GU98054422	Vis M8X22	2	
31	GU61270300	Rondelle élastique 8x15x0,3	2	
32	GU92630108	Ecrou	2	
33	GU14575970	Protection caoutch.	1	
34	GU29463000	Levier	1	
35	GU19105150	Bloc	1	

Assembly	CHASSIS
Code	33.15
Description	Suspension avant/arriere
Revision	1



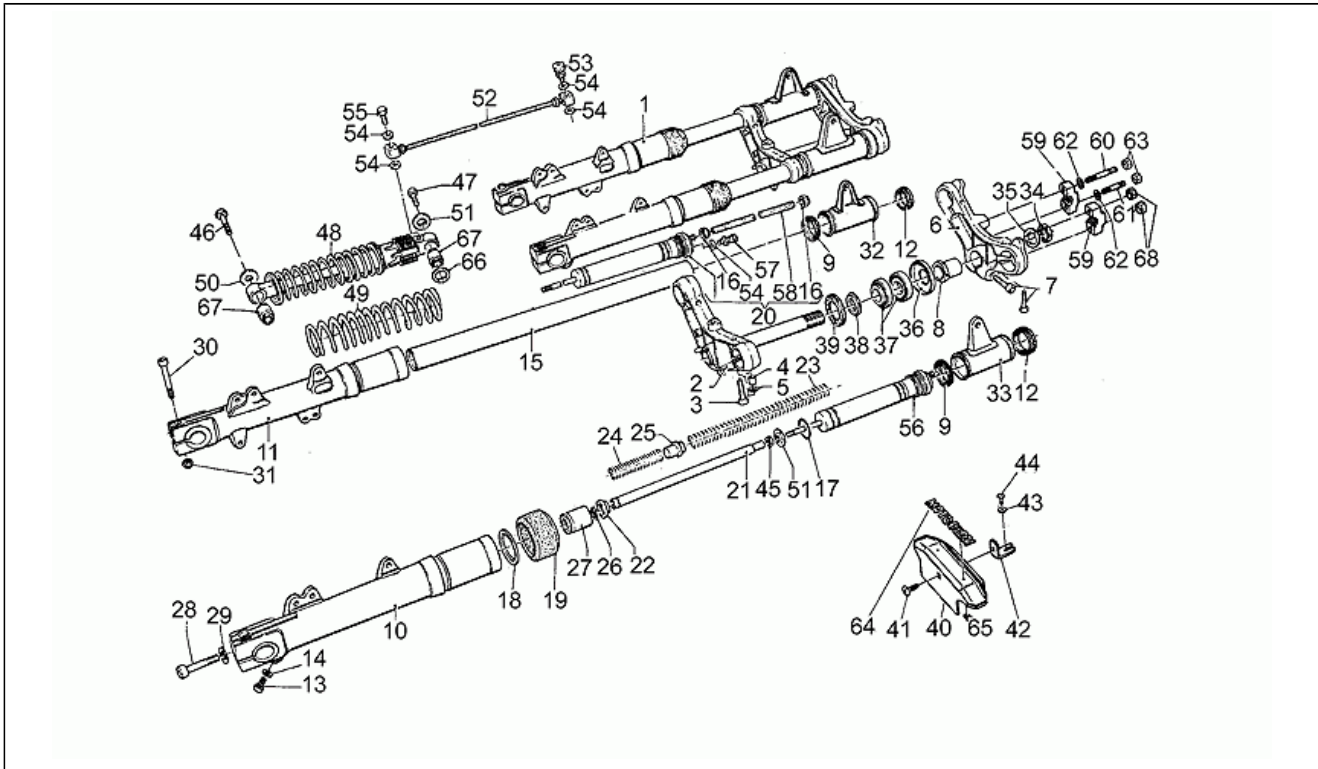
Pos.	Code	Description	Q.ty	Variants
1	GU29490200	Fourche AV	1	
2	GU28494033	Plaque inf.	1	
3	GU95004210	Rondelle 10,2x18x2	2	
3	GU98620560	Vis M10x60	2	
4	GU91181110	Entretoise	2	
5	GU95004210	Rondelle 10,2x18x2	2	
6	GU17493160	Plaque sup. fourche	1	
7	GU98620540	Vis M10x40	3	
8	GU18516660	Douille bloc. direction	1	
9	GU63492700	Bague	2	
10	GU17522620	Fourreau G	1	
11	GU17522520	Fourreau D	1	
12	GU17492700	Bague	2	
13	GU98622312	Vis	2	
14	GU95100116	Rondelle 6,25x10x1,5	2	
15	GU63525400	Tige	2	
16	GU14936400	Ecrou	2	
17	GU90706238	Bague d'étanchéité	2	
18	GU90403449	Joint spi	2	
19	GU14524500	Pare-poussière	2	
20	GU29526400	Amortisseur fourche	1	
21	GU14527800	Tuyau	2	
22	GU14527900	Segm.élé.pomp.fourch.	2	
23	GU18526960	Ressort	2	
24	GU18526660	Contre-ressort	2	
25	GU18527960	Entretoise	2	
26	GU90271014	Bague seeger	2	
27	GU29527400	Rondelle	2	

Assembly	CHASSIS
Code	33.15
Description	Suspension avant/arriere
Revision	1



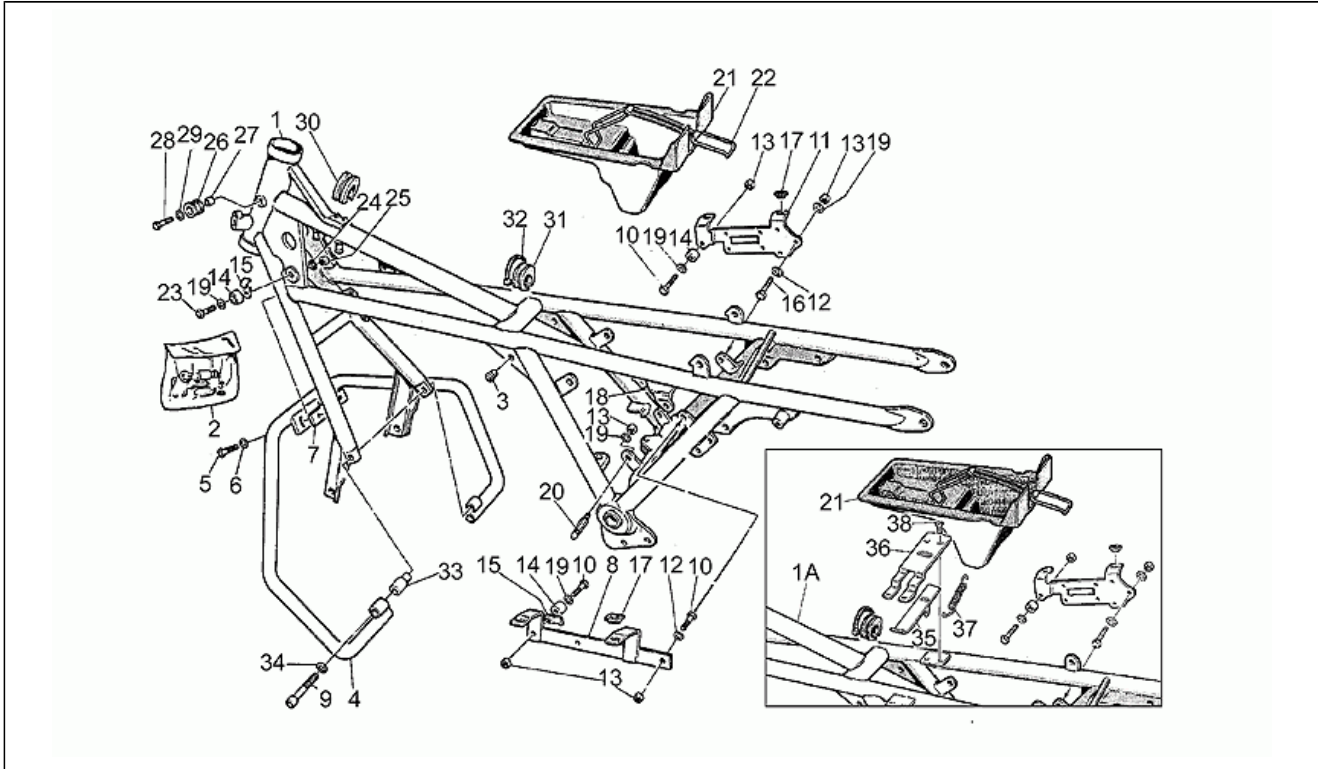
Pos.	Code	Description	Q.ty	Variants
28	GU98620590	Vis	2	
29	GU10528900	Garniture	2	
30	GU98620540	Vis M10X40	2	
31	GU92602210	Ecrou	2	
32	GU63496120	Fourreau D	1	
33	GU63496220	Fourreau G	1	
34	GU18513460	Bouchon tube	1	
35	GU18513560	Rondelle bouchon fourreau	1	
36	GU14494600	Rondelle	1	
37	GU92249225	Roulement roul.con.	2	
38	GU14516700	Rondelle d'appui	1	
39	GU14517000	Pare-poussière	1	
40	GU62497820	Cache	1	
41	GU98326016	Vis	1	
42	GU29578800	Bride	1	
43	GU95001206	Rondelle	1	
44	GU98054320	Vis M6X20	1	
45	GU92602308	Ecrou	2	
46	GU98074416	Vis	2	
47	GU98054420	Vis M8X20	2	
48	GU29550201	Amortisseur AR	2	Spécifications techniques: Exhausted-order 000289992400[ES]
49	GU29552300	Ressort	2	
50	GU95100256	Rondelle	2	
51	GU18526560	Rondelle nylon	2	
52	GU28556150	Tuyau	1	
53	GU28556250	Soupape air	1	
54	GU28556350	Rondelle en cuivre	5	

Assembly	CHASSIS
Code	33.15
Description	Suspension avant/arriere
Revision	1



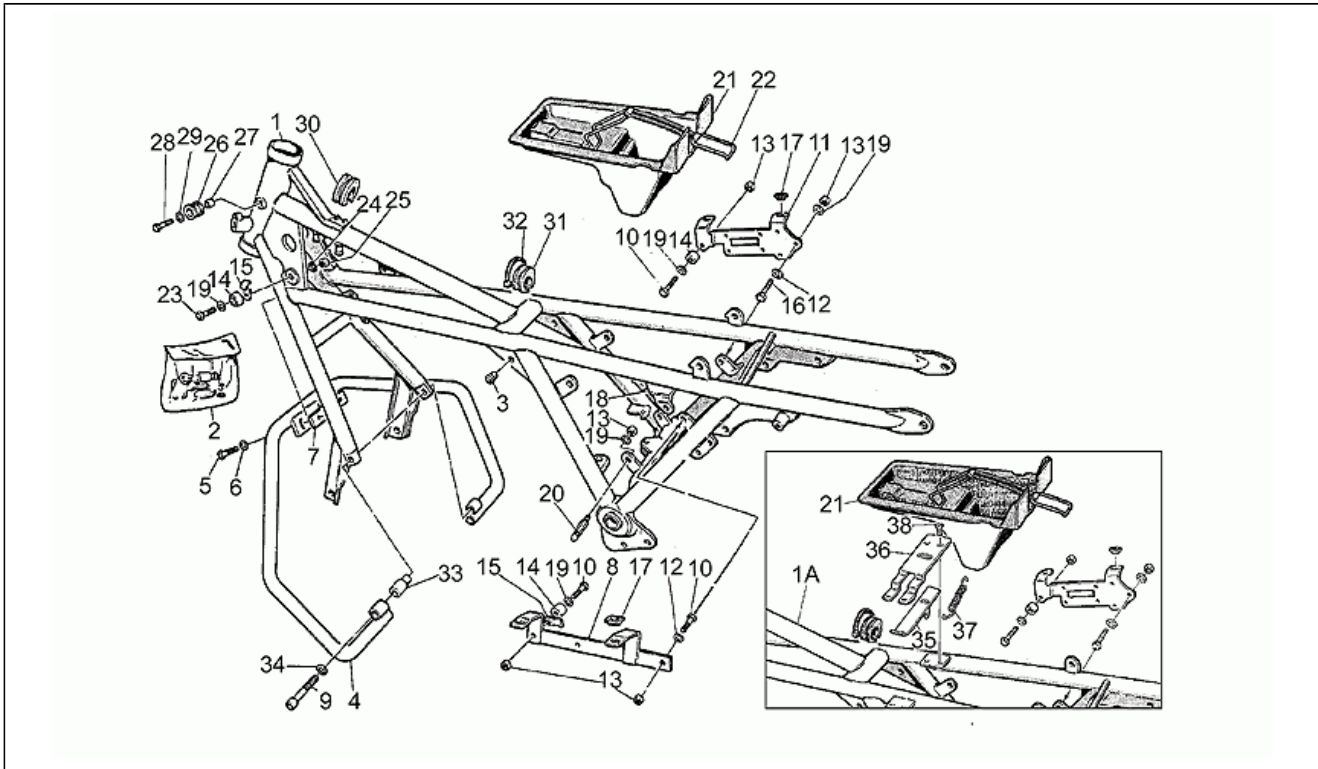
Pos.	Code	Description	Q.ty	Variants
55	GU28556450	Vis percée	1	
56	GU29526400	Amortisseur fourche	1	
57	GU28556250	Soupape air	1	
58	GU19529660	Tuyau amortisseur AV	1	
59	GU17500200	Collier	2	
60	GU96508066	Vis sans tête M8X66	2	
61	GU96508045	Vis sans tête 8x46	2	
62	GU95021108	Rondelle élastique	4	
63	GU92602208	Ecrou M8X1,25	2	
64	GU19923480	Plaque Moto Guzzi	1	
65	GU39922200	Plaquette	2	
66	GU91181405	Entretoise	2	
67	GU14551655	Silentbloc	4	
68	GU92630108	Ecrou	2	

Assembly	CHASSIS
Code	33.16
Description	Chassis
Revision	1



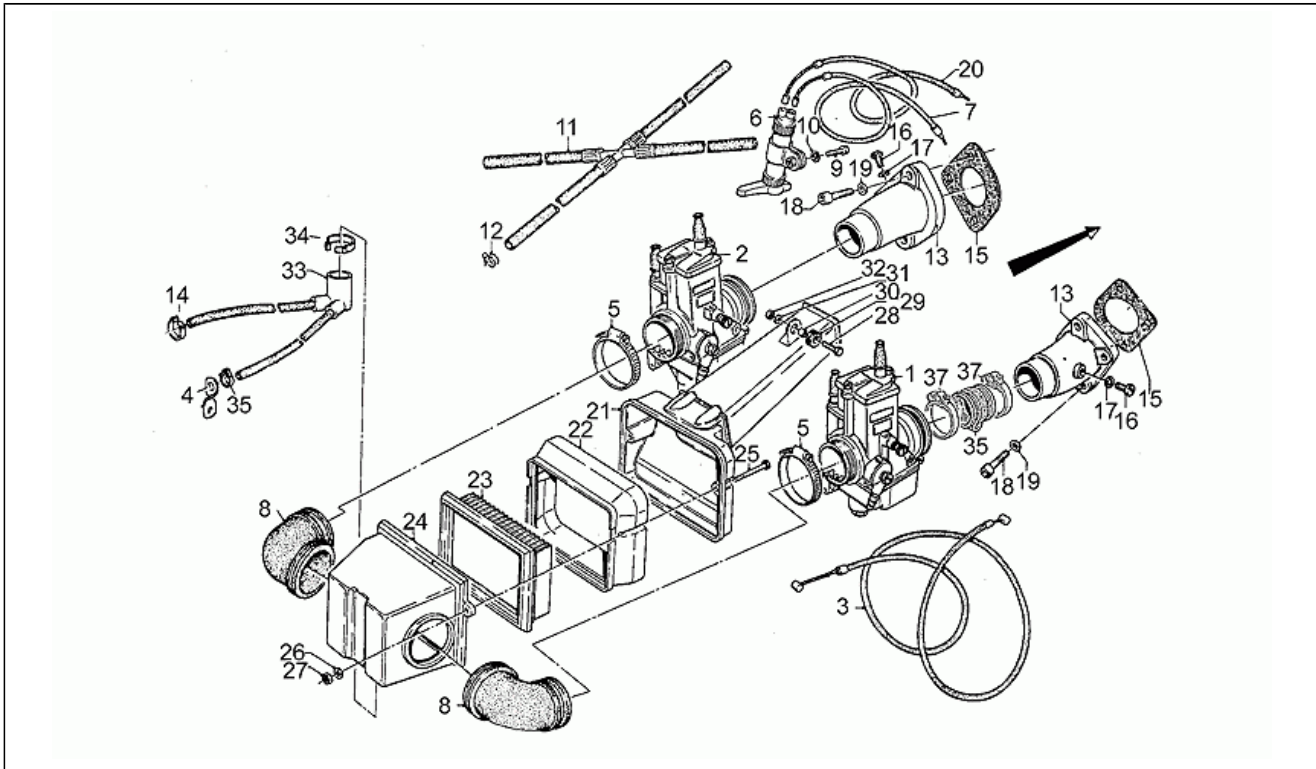
Pos.	Code	Description	Q.ty	Variants
1	GU29400101	Chassis	1	
1	GU29400120	Chassis	1	Spécifications techniques: Jusq'au chassis 18999[T3]
1	GU29400121	Chassis	1	Spécifications techniques: A' partir du chassis 19000[T4]
2	GU28782550	Serrure blocage direction	1	
3	GU93180080	Bouchon	4	
4	GU29450200	Pare-chocs AV	1	
5	GU98054420	Vis M8X20	2	
6	GU95004208	Rondelle	4	
7	GU17451750	Plaquette	1	
8	GU17424050	Plaque g.	1	
9	GU98621670	Vis	2	
10	GU98052325	Vis	2	
11	GU174248501	Plaque d.	1	
12	GU95100121	Rondelle 5,3x10x0,5	4	
13	GU92630106	Ecrou M6x1	7	
14	GU14103800	Tampon	4	
15	GU93301313	Cavalier	3	
16	GU98054314	Vis	2	
17	GU39461600	Caoutchouc	4	
18	GU17709950	Plaquette	1	
19	GU95000206	Rondelle	9	
20	GU17478550	Pivot g.	2	
21	GU29479600	Boîte à outils	1	
22	GU29479700	Bride	1	
23	GU98054320	Vis M6X20	2	
24	GU95021106	Rondelle évent.	6	
25	GU92602206	Ecrou	4	
26	GU14103400	Caoutchouc	2	

Assembly	CHASSIS
Code	33.16
Description	Chassis
Revision	1



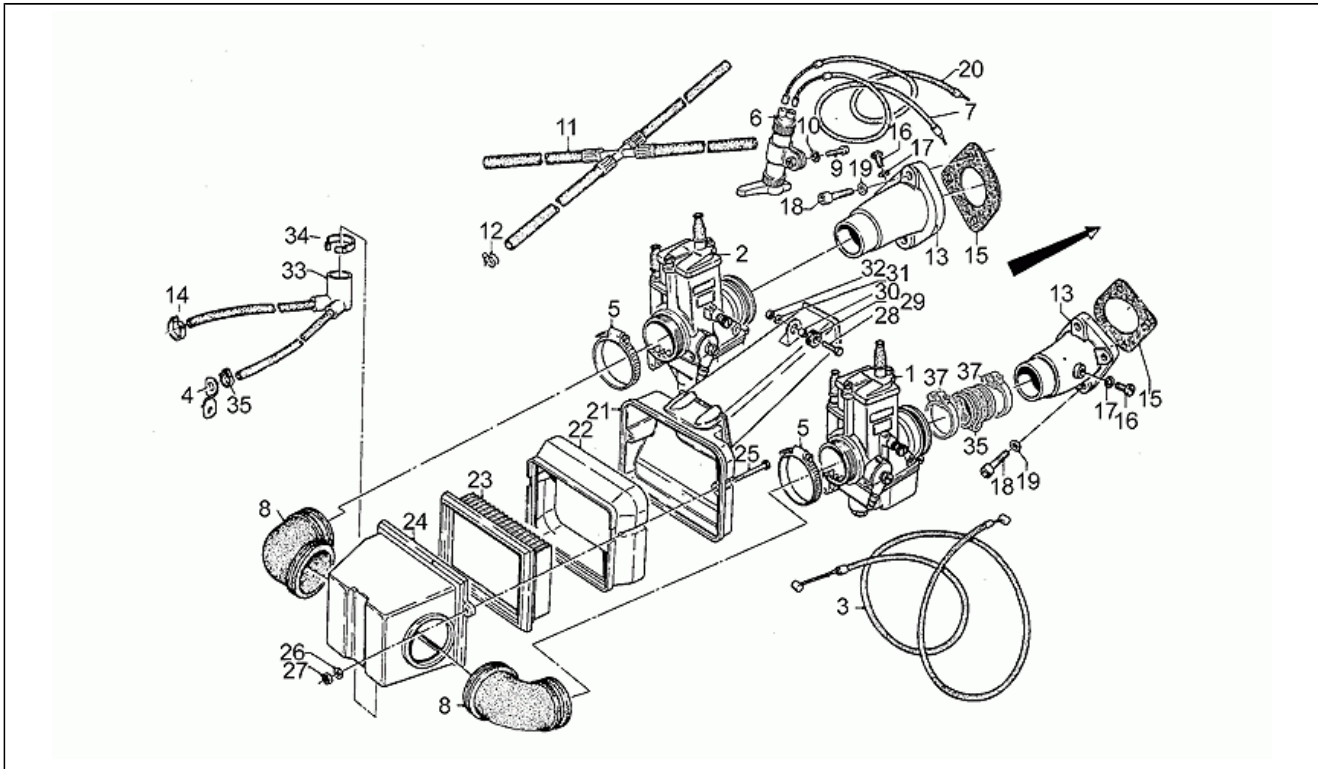
Pos.	Code	Description	Q.ty	Variants
27	GU91180810	Entretoise	2	
28	GU98054425	Vis M8X25	2	
29	GU95100255	Rondelle	2	
30	GU14107100	Tampon	1	
31	GU14109000	Caoutchouc	2	
32	GU14609650	Collier 3,6x20,6	4	
33	GU91181320	Entretoise	2	
34	GU95100415	Rondelle	2	
35	GU29462420	Plaque	1	Pays:États Unis[USA]
36	GU294625201	Plaque	1	Pays:États Unis[USA]
37	GU29463120	Ressort	1	Pays:États Unis[USA]
38	GU98250516	Vis	2	Pays:États Unis[USA]

Assembly	CHASSIS
Code	33.18
Description	Alimentation
Revision	1



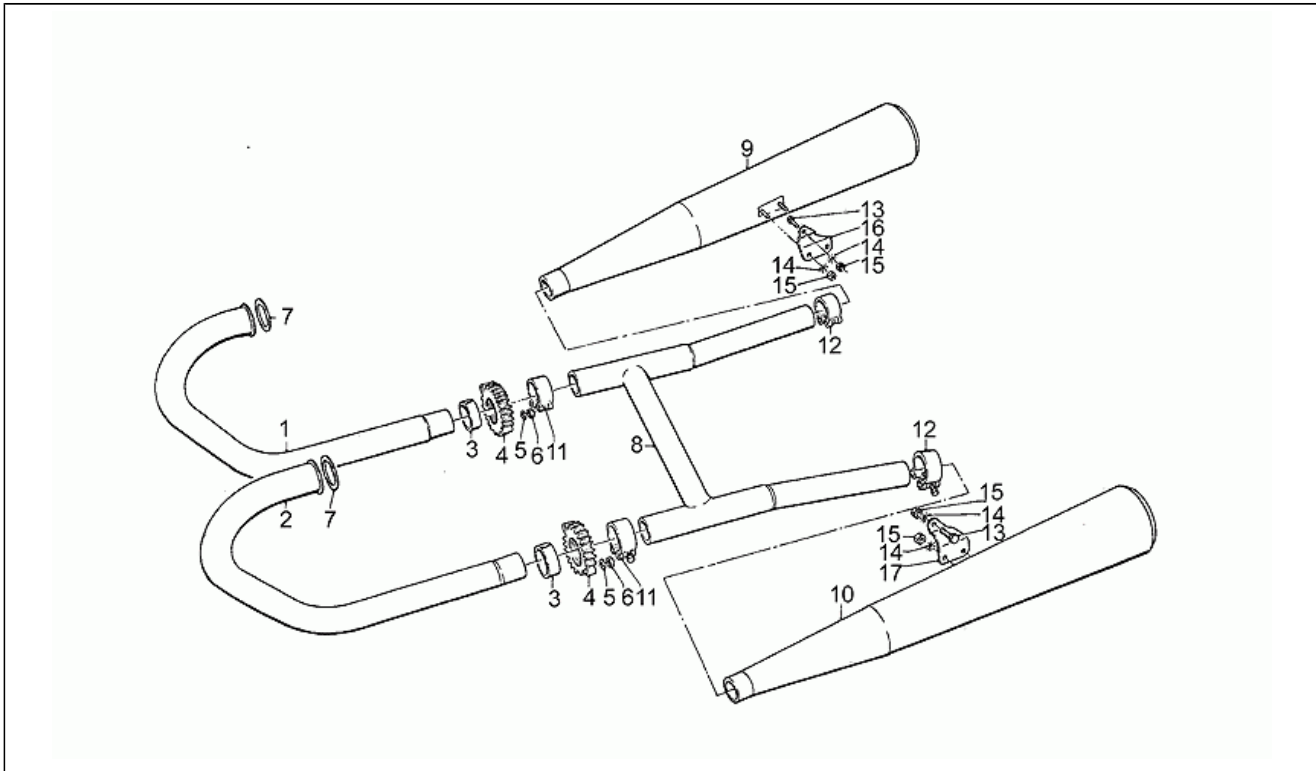
Pos.	Code	Description	Q.ty	Variants
1	GU29112600	Carburateur droit PHF 30C	1	
1	GU29112620	Carburateur droit PHF 30DD	1	Pays:États Unis[USA]
2	GU29112601	Carburateur gauche PHF 30C	1	
2	GU29112621	Carburateur gauche PHF 30DS	1	Pays:États Unis[USA]
3	GU29117520	Transm. commande gaz	2	
4	GU14115401	Plaquette	1	
5	GU93305057	Collier 57x59,5x10	2	
6	GU17133151	Levier	1	
7	GU17134050	Câble starter	1	
8	GU14114460	Manchon de carburateur	2	
9	GU98054210	Vis	1	
10	GU95021105	Rondelle évent.	10	
11	GU29106500	Tuyau essence	1	
12	GU28108410	Collier	4	
13	GU29115020	Pipe aspiration	2	
14	GU28157850	Collier	1	
15	GU14115550	Joint	2	
16	GU98326009	Vis	2	
17	GU95100116	Rondelle 6,25x10x1,5	4	
18	GU98620330	Vis M6X30	6	
19	GU95004206	Rondelle 6,15x11x0,8	6	
20	GU17133560	Câble starter carb. D	1	
21	GU28113450	Couvercle filtre	1	
22	GU28114050	Support filtre	1	
23	GU28113650	Filtre air	1	
24	GU28114350	Corps filtre	1	
25	GU98052270	Vis	2	
26	GU95000205	Rondelle	2	

Assembly	CHASSIS
Code	33.18
Description	Alimentation
Revision	1



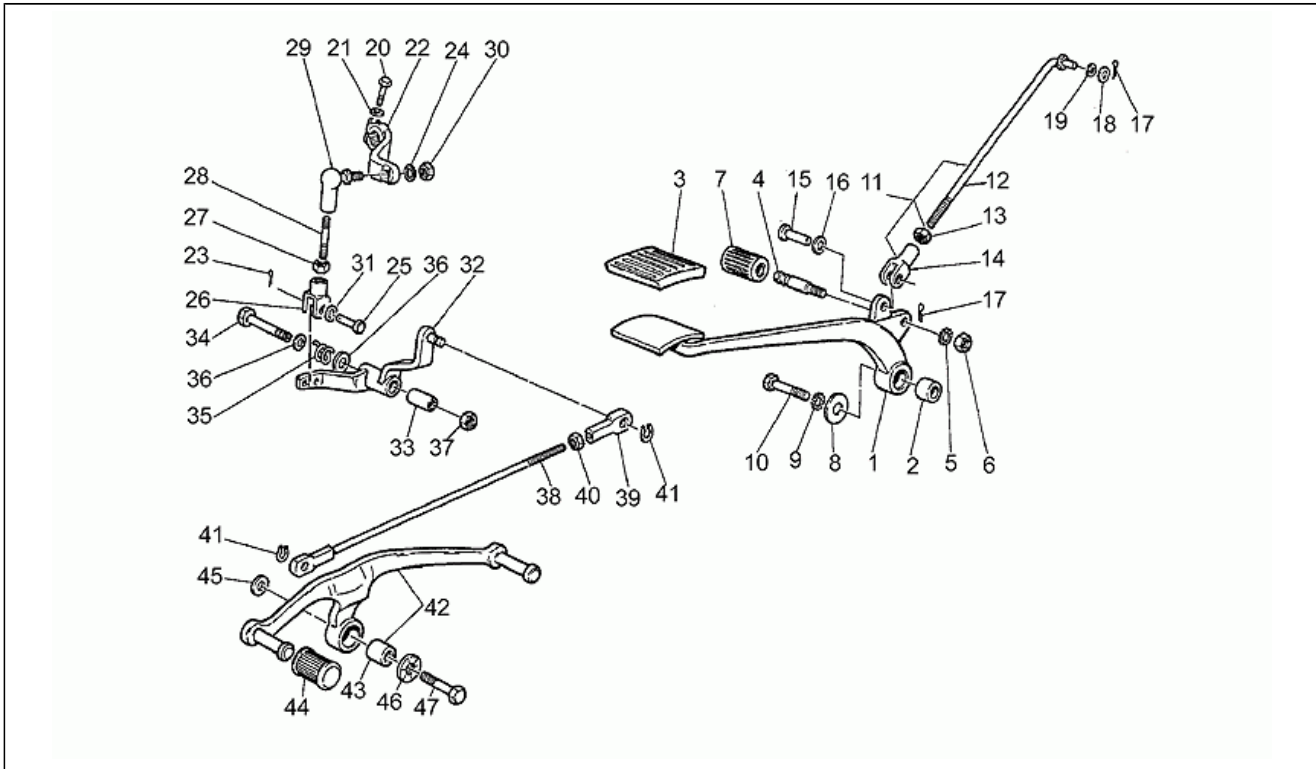
Pos.	Code	Description	Q.ty	Variants
27	GU92630105	Ecrou	2	
28	GU98054320	Vis M6X20	1	
29	GU91551085	Caoutchouc	1	
30	GU91180607	Entretoise	1	
31	GU95100141	Rondelle 6,4x12x1,2	1	
32	GU92630106	Ecrou M6x1	1	
33	GU28157050	Tuyau	1	
34	GU28157950	Collier clic 12,5x8	2	
35	GU28157750	Collier clic d.26x0,8	2	
36	GU14114350	Manchon de carburateur	2	
37	GU93305057	Collier 57x59,5x10	4	

Assembly	CHASSIS
Code	33.23
Description	Groupe echappement
Revision	1



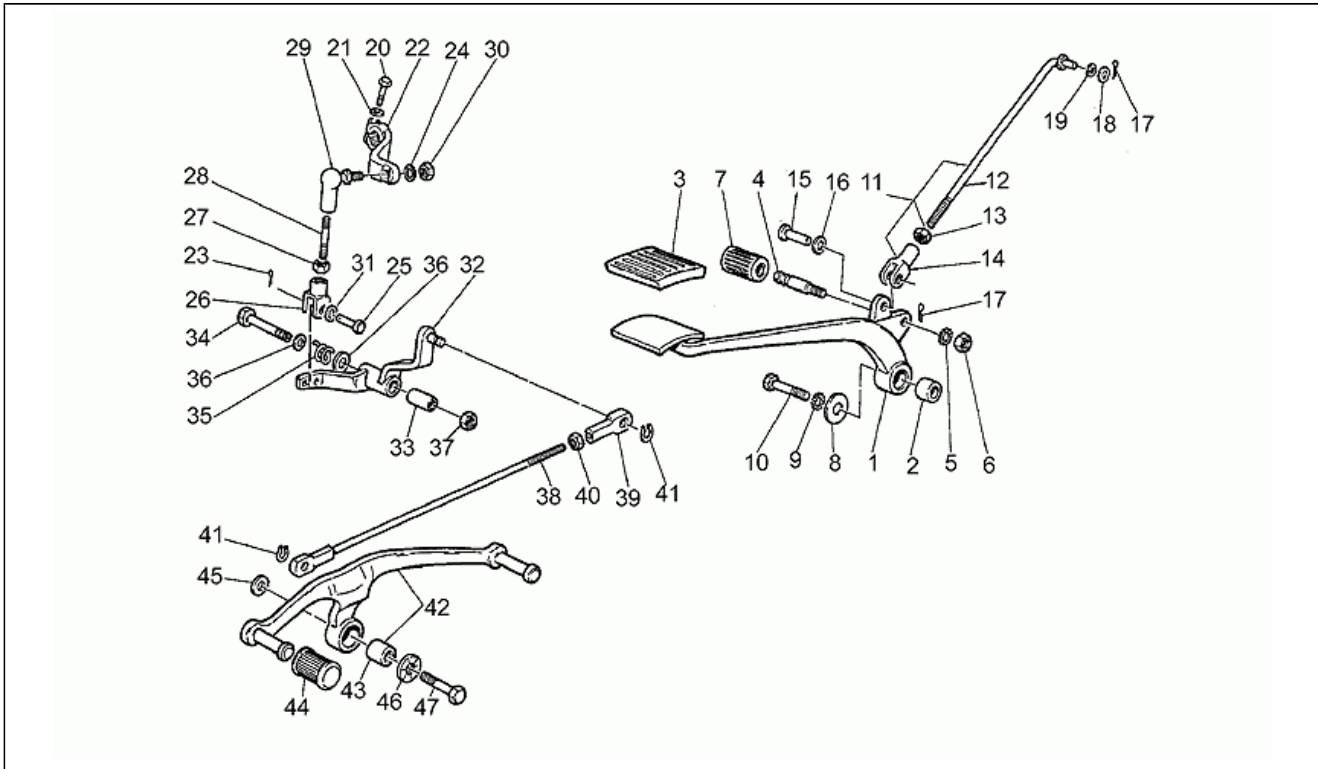
Pos.	Code	Description	Q.ty	Variants
1	GU14120901	Tuyau échappement d.	1	
1	GU17120965	Tuyau échappement d.	1	Pays:États Unis[USA]
2	GU14120906	Tuyau échappement gche	1	
2	GU17120966	Tuyau échappement gche	1	Pays:États Unis[USA]
3	GU14121200	Entretoise	2	
4	GU17121061	Bride	2	
5	GU14615901	Rondelle 8,4X13X0,8	4	
6	GU92781081	Ecrou	4	
7	GU90718370	Joint	2	
8	GU17123962	Chambre de détente	1	
9	GU29123000	Silencieux D	1	
10	GU29122900	Silencieux G	1	
11	GU14126900	Collier	2	
12	GU14123400	Collier	2	
13	GU98054420	Vis M8X20	2	
14	GU95021108	Rondelle élastique	6	
15	GU92602208	Ecrou M8X1,25	6	
16	GU29128600	Plaque d.	1	
17	GU29128700	Plaque g.	1	

Assembly	CHASSIS
Code	33.24
Description	Levier b.vit.-frein
Revision	1



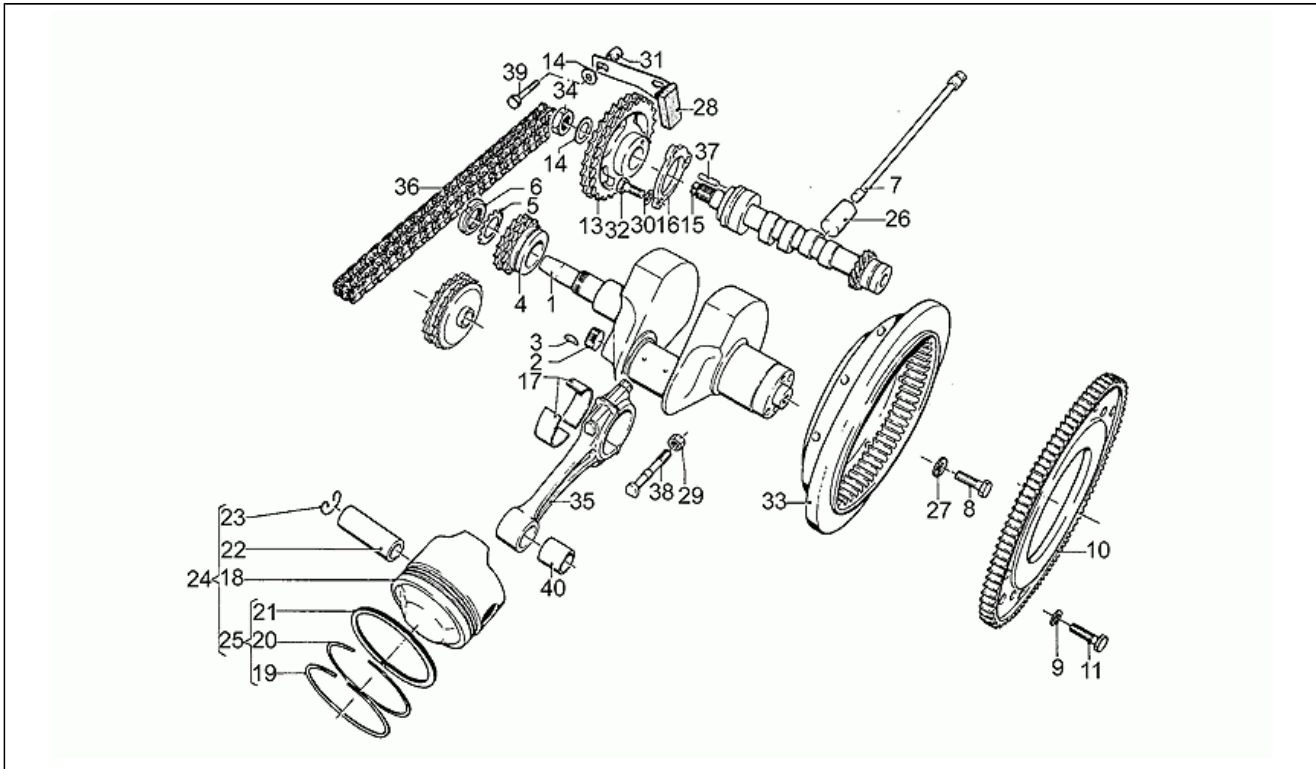
Pos.	Code	Description	Q.ty	Variants
1	GU30675960	Levier frein	1	
2	GU18252050	Bague 19 mm	1	
3	GU43262180	Pédale en caoutch.	1	
4	GU18678350	Pivot	1	
5	GU95021106	Rondelle évent.	1	
6	GU92602206	Ecrou	1	
7	GU13432640	Pédale en caoutch.	1	
8	GU18259151	Rondelle	1	
9	GU95021108	Rondelle élastique	1	
10	GU98054416	Vis M8X16	1	
11	GU18675052	Tirant pour boîte vitesse cpl.	1	
12	GU18675052	Tirant pour boîte vitesse cpl.	1	
13	GU92690073	Ecrou	1	
14	GU95740175	Fourchette	1	
15	GU95770265	Goupille	1	
16	GU95129110	Rondelle	1	
17	GU95500222	Goupille	1	
18	GU95100173	Rondelle 7,5x13x1	1	
19	GU95129130	Rondelle élastique	1	
20	GU98052325	Vis	1	
21	GU95021106	Rondelle évent.	1	
22	GU18258201	Levier	1	
23	GU95500222	Goupille	1	
24	GU61013800	Rondelle spéciale	1	
25	GU95770265	Goupille	1	
26	GU12626800	Fourchette	1	
27	GU92602206	Ecrou	1	
28	GU18257801	Fourchette	1	

Assembly	CHASSIS
Code	33.24
Description	Levier b.vit.-frein
Revision	1



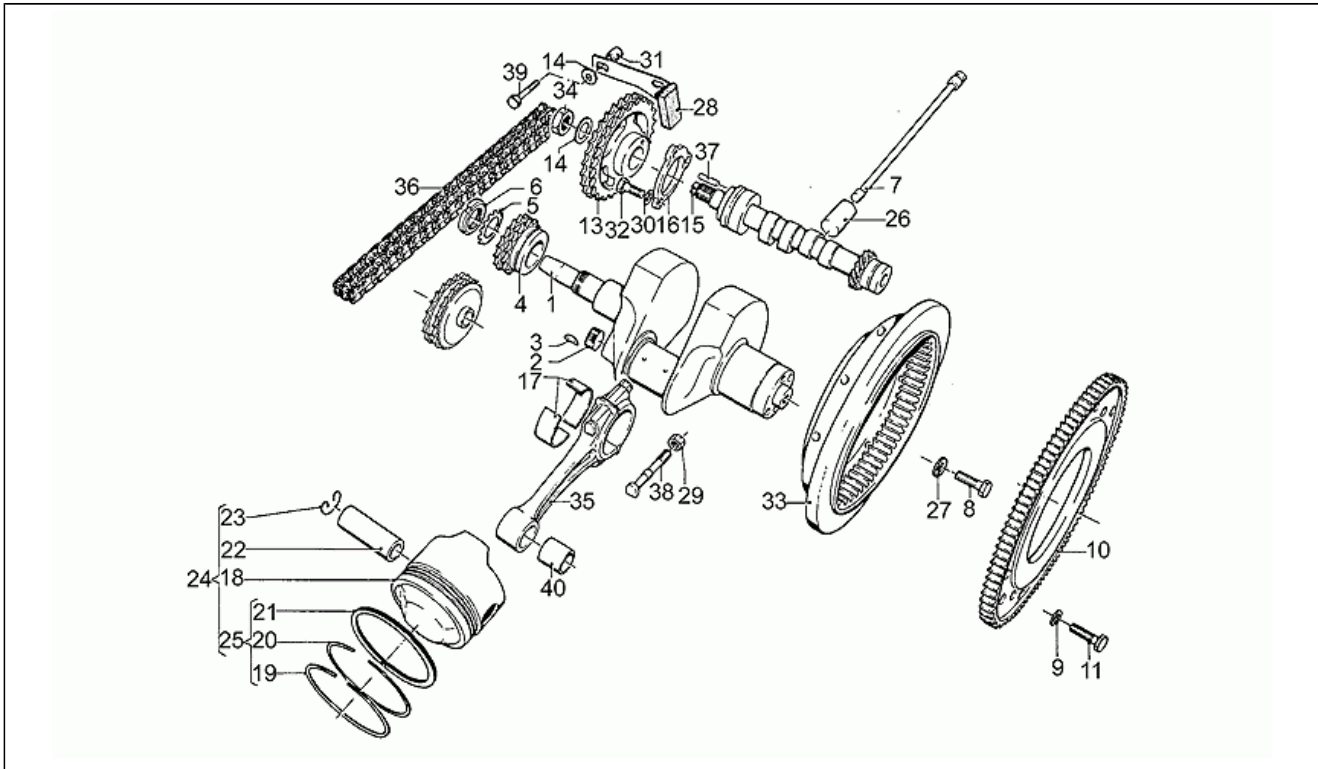
Pos.	Code	Description	Q.ty	Variants
29	GU18258101	Rotule	1	
30	GU92630106	Ecrou M6x1	1	
31	GU95129110	Rondelle	1	
32	GU18256950	Tige renvoi boîte de vitesses	1	
33	GU17252050	Bague	1	
34	GU98053660	Vis	1	
35	GU94322185	Ressort	1	
36	GU95100409	Rondelle	2	
37	GU92602512	Ecrou bas M12x1,25	1	
38	GU18257651	Tirant pour boîte vitesse cpl.	1	
39	GU18257551	Bloc	1	
40	GU92690073	Ecrou	1	
41	GU90271008	Bague seeger	2	
42	GU29250820	Levier boîte de vitesses	1	
43	GU18252050	Bague 19 mm	1	
44	GU13432640	Pédale en caoutch.	2	
45	GU18259151	Rondelle	1	
46	GU95021108	Rondelle élastique	1	
47	GU98054416	Vis M8X16	1	

Assembly	MOTEUR
Code	34.17
Description	Arbre moteur
Revision	1



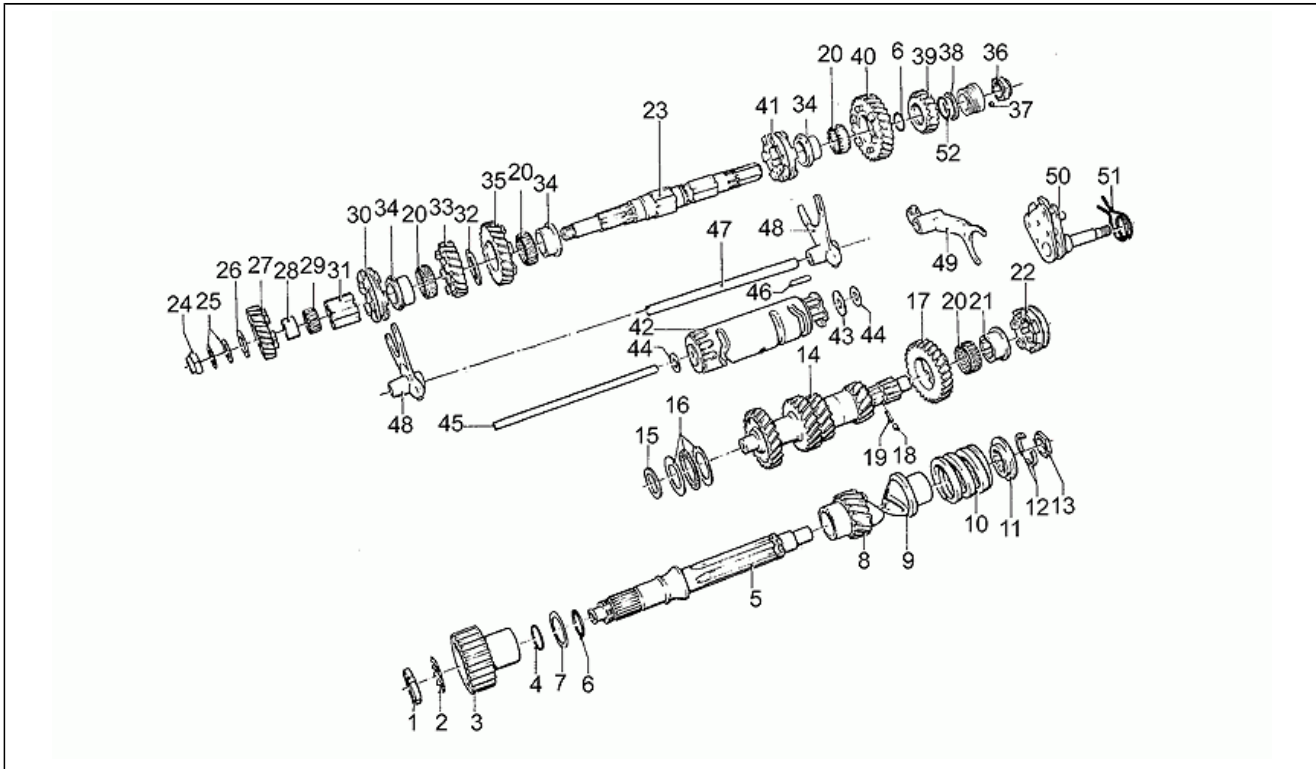
Pos.	Code	Description	Q.ty	Variants
1	GU18064204	Arbre moteur	1	
2	GU12065400	Bouchon	1	
3	GU91702355	Clavette	1	
4	GU14072001	Pignon	1	
5	GU95028025	Rondelle de séreté	1	
6	GU93601026	Bague	1	
7	GU17067050	Volant	1	
8	GU14615901	Rondelle 8,4X13X0,8	1	
9	GU12067701	Vis M8X25	6	
10	GU17067900	Couronne	1	
11	GU14615901	Rondelle 8,4X13X0,8	8	
12	GU98054420	Vis M8X20	8	
13	GU30061500	Bielle	2	
14	GU91112128	Bague	2	
15	GU92731090	Ecrou autobloqu.	4	
16	GU30062260	Vis	4	
17	GU30062000	Demi-coussinet	4	Spécifications techniques:Tolerance standard[std]
17	GU30062001	Demi-coussinet 0,254 mm	4	Spécifications techniques:Tolerance min.[MIN]
17	GU30062002	Demi-coussinet 0,508 mm	4	Spécifications techniques:Tolerance min.[MIN]
17	GU30062003	Demi-coussinet 0,762 mm	4	Spécifications techniques:Tolerance min.[MIN]
18	GU29060400	Piston	2	
19	GU14060760	Segment d'étanchéité	2	
20	GU18060950	Segment d'étanchéité	2	
21	GU14061060	Segm.racleur d'huile	2	
22	GU13061260	Axe	2	Spécifications techniques:Jusqu'au moteur 21399[M1]
22	GU28061260	Axe	2	Spécifications techniques:A' partir du moteur 21400[M2]
23	GU27061385	Bague de butée	4	
24	GU29060400	Piston	2	

Assembly	MOTEUR
Code	34.17
Description	Arbre moteur
Revision	1



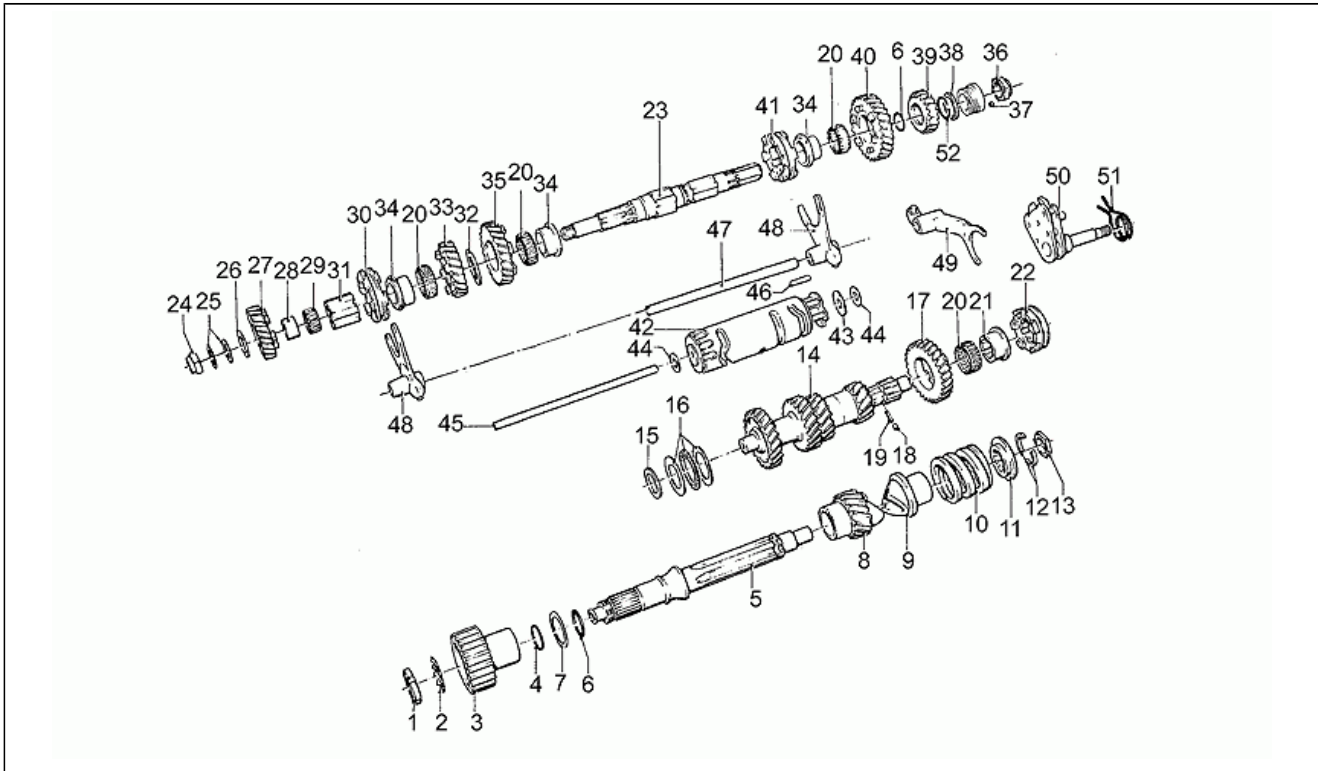
Pos.	Code	Description	Q.ty	Variants
25	GU18060601	Série segments	2	
26	GU37045006	Culbuteur tige	4	
27	GU10045801	Poussoir 0,05 mm	4	Spécifications techniques: Increased version[MAG]
27	GU10045802	Poussoir 0,10 mm	4	Spécifications techniques: Increased version[MAG]
27	GU17045860	Poussoir	4	
28	GU14053301	Arbre à cames	1	
29	GU12054000	Bride	1	
30	GU98054320	Vis M6X20	3	
31	GU95120065	Rondelle 6,5x11x2	3	
32	GU13054502	Engrenage distribution	1	
33	GU14234600	Goupille	1	
34	GU14433400	Rondelle élastique 19x34x1,5	1	
35	GU92602518	Ecrou M18X1,5	1	
36	GU28058060	Chaîne	1	
37	GU30057810	Tendeur de chaîne	1	
38	GU91180915	Entretoise	2	
39	GU98054440	Vis	2	
40	GU61270300	Rondelle élastique 8x15x0,3	1	

Assembly	MOTEUR
Code	34.19
Description	Boîte de vitesses
Revision	1



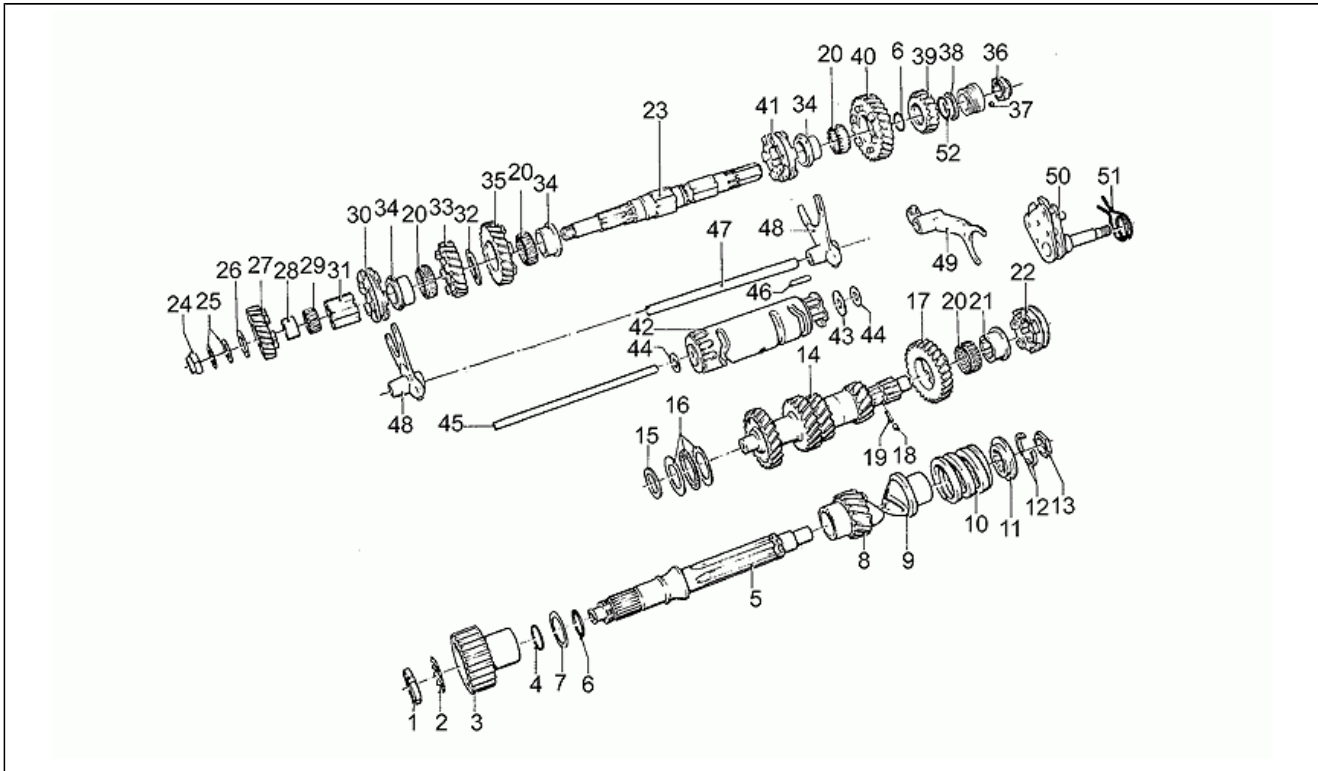
Pos.	Code	Description	Q.ty	Variants
1	GU93601022	Bague	1	
2	GU95028022	Rondelle 22x20x3,9	1	
3	GU29999350	Pignon embrayage	1	
4	GU90706235	Joint torique 23,52x1,78	1	
5	GU14210702	Arbre embrayage	1	
6	GU90706203	Joint torique 20,24X2,62	2	
7	GU14218401	Rondelle distribution huile 25,1x36x0,5	1	
8	GU14211110	Engrenage Z=17	1	
9	GU14211201	Manchon	1	
10	GU13211500	Ressort à godet	1	
11	GU14211600	Disque	1	
12	GU12211700	Demi-clavettes	2	
13	GU14219401	Cale	1	
14	GU14210513	Arbre primaire	1	
15	GU18211050	Rondelle éventail sp.2	1	
15	GU18211051	Rondelle éventail sp.2,1	1	
15	GU18211052	Rondelle éventail sp.2,2	1	
15	GU18211054	Rondelle éventail sp.2,4	1	
16	GU92258525	Roulement à rouleaux	1	
17	GU14212013	Engrenage 5a Z=28	1	
18	GU92296750	Rouleau	1	
19	GU94321051	Ressort	1	
20	GU92251030	Cage à rouleaux 30x35x13	4	
21	GU14212210	Douille 5a AP	1	
22	GU14231510	Baladeur 5a	1	
23	GU14213612	Arbre secondaire	1	
24	GU14217410	Ecrou	1	
25	GU43083810	Rondelle ajustem. 17,25x27x0,5	2	

Assembly	MOTEUR
Code	34.19
Description	Boîte de vitesses
Revision	1



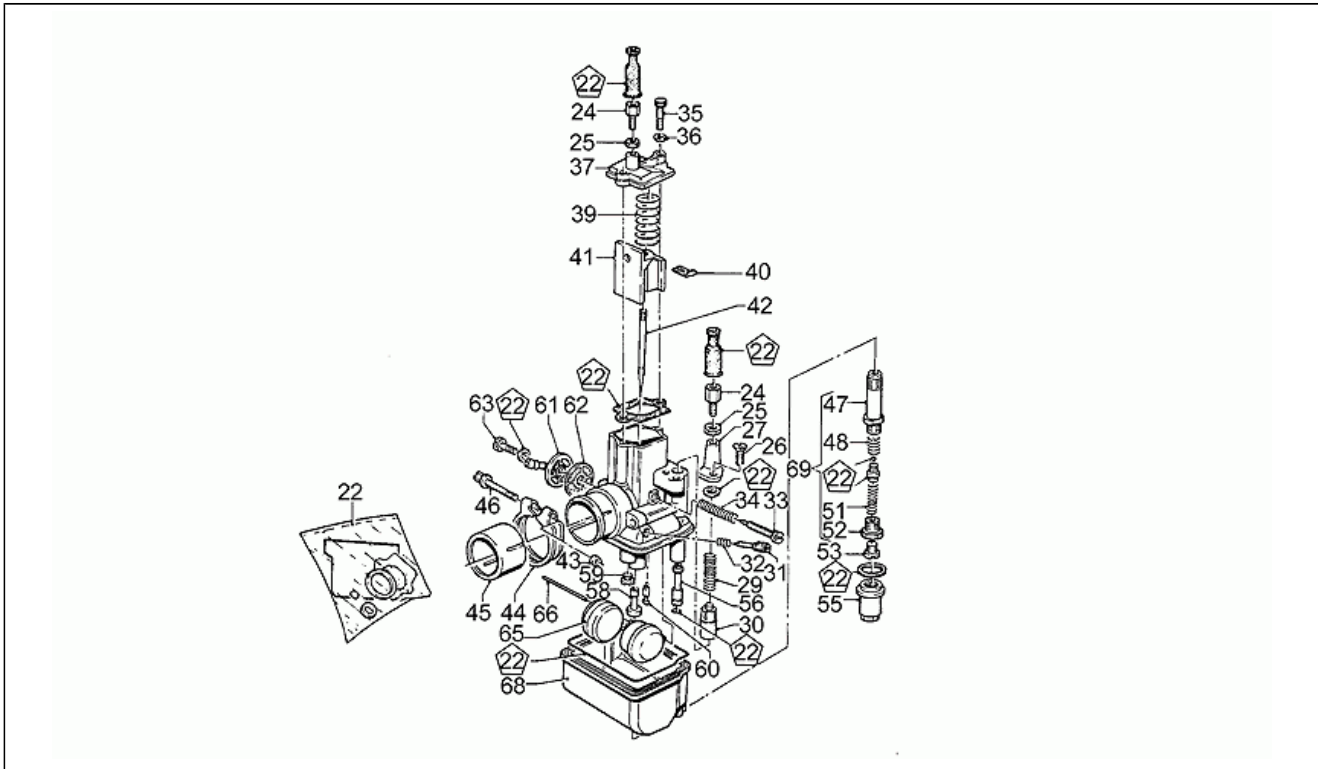
Pos.	Code	Description	Q.ty	Variants
26	GU14215400	Rondelle d'appui 17,1x30	8	
27	GU14215110	Engrenage 4a Z=20	1	
28	GU92259017	Bague 4a	1	
29	GU92251022	Cage à rouleaux 4a A.S.	1	
30	GU14231012	Baladeur 3a-4a	1	
31	GU14232512	Manchon	1	
32	GU14218011	Rondelle 25x40x3	1	
33	GU14214810	Engrenage 3a Z=22	1	
34	GU14213001	Douille 1a-2a-3a AS	3	
35	GU14214510	Engrenage 2a Z=25	1	
36	GU14219310	Ecrou	1	
37	GU92295702	Bille	1	
38	GU14217300	Rondelle 22,1x32x2	1	
39	GU14215213	Engrenage 5a AS Z=21	1	
40	GU14214210	Engrenage 1a Z=28	1	
41	GU14230711	Baladeur 1a-2a	1	
42	GU14234405	Desmodromique	1	
43	GU14235500	Rondelle 8,2x28x1	1	
44	GU55235000	Rondelle ajustem. 0,6 mm	3	
44	GU55235001	Rondelle ajustem. 0,8 mm	3	
44	GU55235002	Rondelle ajustem. 1 mm	3	
44	GU55235003	Rondelle ajustem. 1,2 mm	3	
45	GU14234300	Tige	1	
46	GU14234600	Goupille	4	
47	GU14232400	Tige	1	
48	GU14230501	Fourchette 1a-2a-3a-4a	2	
49	GU14231201	Fourchette 5a	1	
50	GU28236260	Preselecteur complet	1	

Assembly	MOTEUR
Code	34.19
Description	Boîte de vitesses
Revision	1



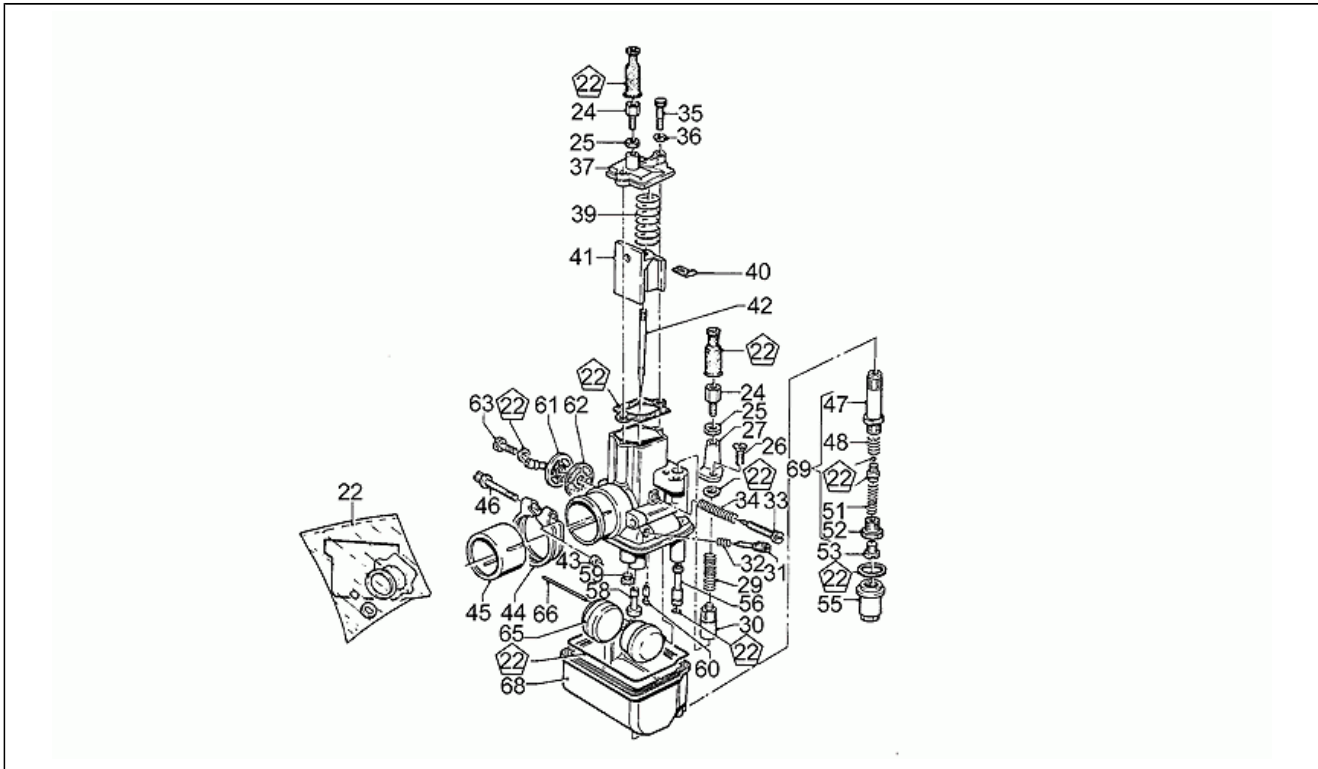
Pos.	Code	Description	Q.ty	Variants
51	GU28238261	Ressort	1	
52	GU90706219	Joint torique 21,95x1,78	1	

Assembly	MOTEUR
Code	34.20
Description	Carburateurs
Revision	1



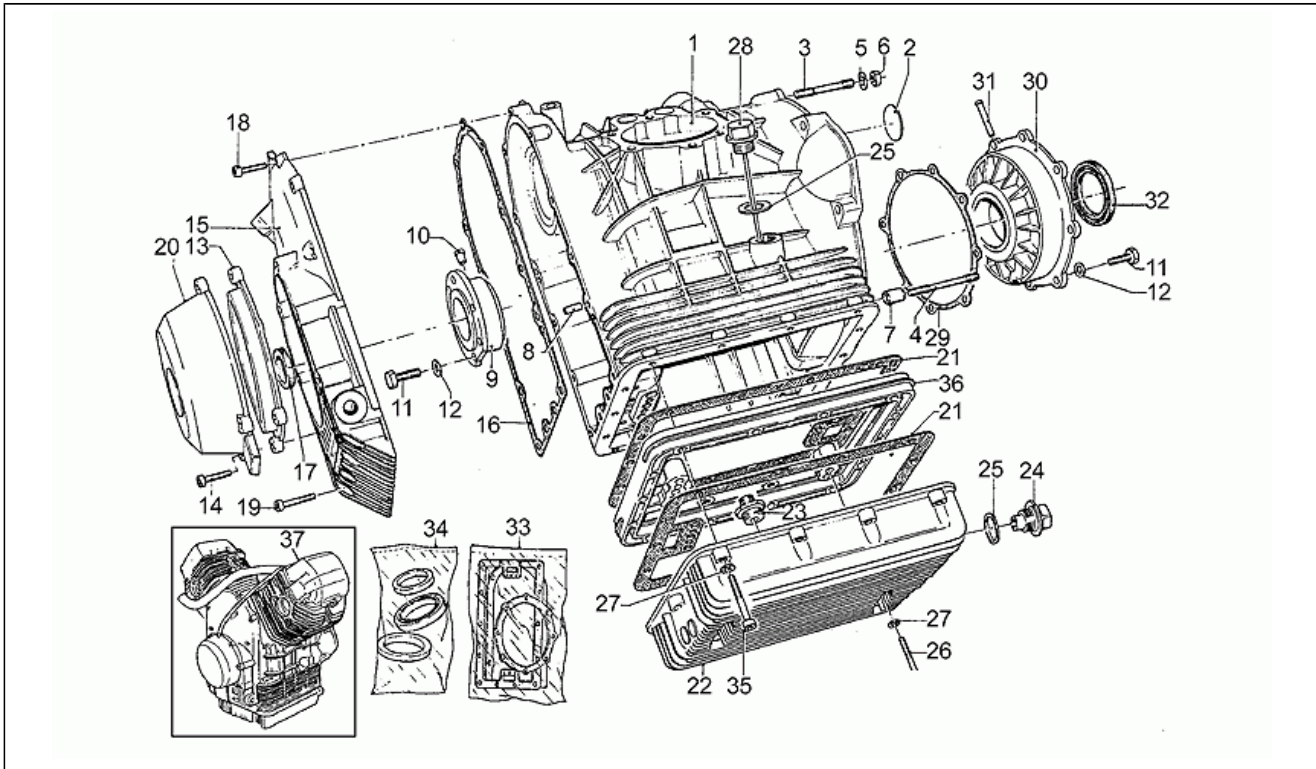
Pos.	Code	Description	Q.ty	Variants
22	GU17939950	Kit joints carburateur	1	
24	GU12937200	Vis tendeur de fil	2	
25	GU12937300	Ecrou	2	
26	GU13937900	Vis	1	
27	GU17937450	Couvercle dispositif dém.	1	
29	GU13937600	Ressort	1	
30	GU13937800	Soupape de démarrage	1	
31	GU13936200	Vis réglage minimum	1	
32	GU13936300	Ressort	1	
33	GU13936600	Vis réglage soupape gaz	1	
34	GU13936700	Ressort	1	
35	GU13932800	Vis	1	
36	GU13932900	Rondelle	1	
37	GU13935000	Couvercle soupape gaz	1	
39	GU13937100	Ressort	1	
40	GU55938585	Agrafe pointeau conique	1	
41	GU28937511	Soupape gaz 50/3	1	
42	GU28937711	Pointeau conique K23	1	
43	GU14936800	Plaquette	1	
44	GU14938700	Collier	1	
45	GU14938900	Réduction isolante	1	
46	GU14938600	Vis	1	
47	GU17938900	Pompe essence	1	
48	GU17939000	Piston	1	
51	GU17939300	Ressort	1	
52	GU17939400	Porte-jet	1	
53	GU18935750	Jet maximum 125	1	
55	GU13933700	Bouchon	1	

Assembly	MOTEUR
Code	34.20
Description	Carburateurs
Revision	1



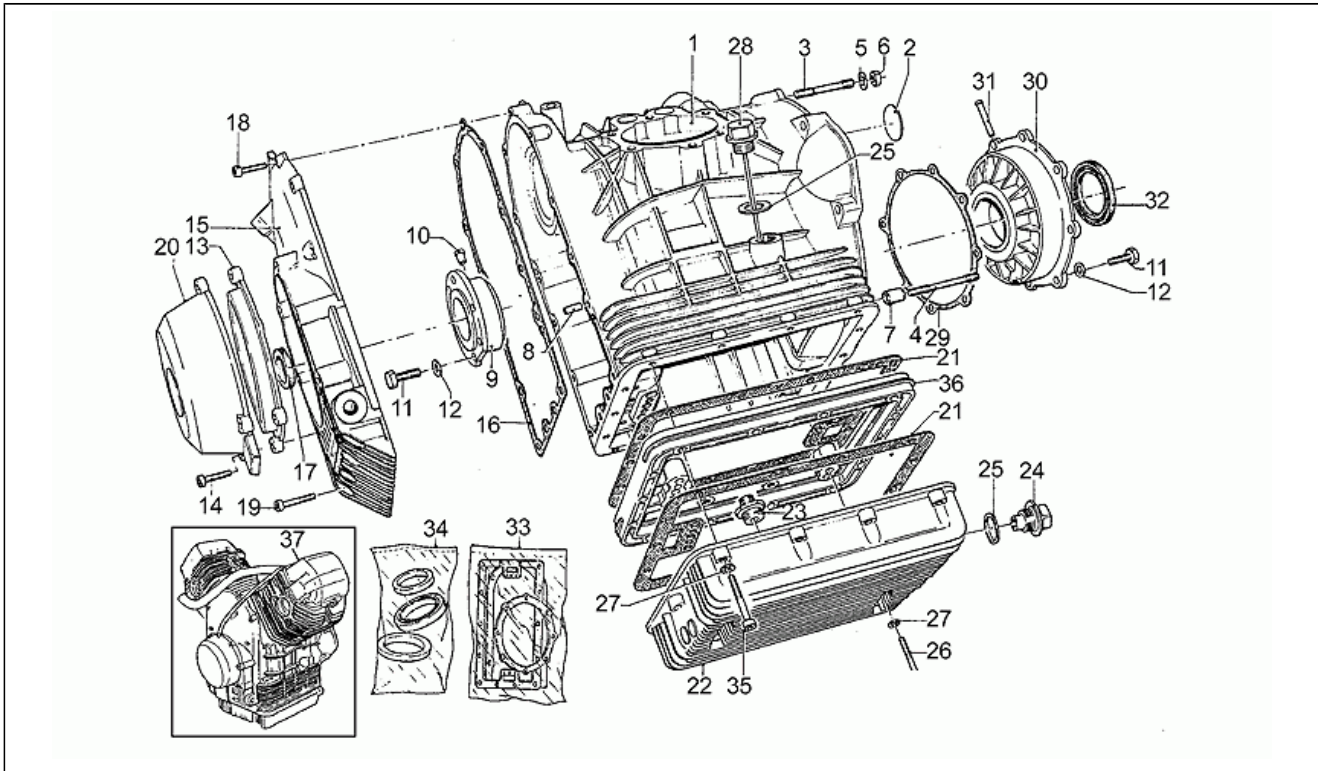
Pos.	Code	Description	Q.ty	Variants
56	GU17936067	Jet démarrage 75	1	
58	GU28935511	Gicleur AB 264	1	
59	GU10935900	Gicleur minimum 50	1	
60	GU13934800	Pointeau	1	
61	GU13934600	Pipette racc. tuyau essence	1	
62	GU43934000	Filtre essence	1	
63	GU10934900	Vis fix.pipette	1	
65	GU14933000	Flotteur	1	
66	GU13933100	Axe flotteur	1	
68	GU13934400	Cuve	1	
69	GU14938800	Pompe essence cpl.	1	

Assembly	MOTEUR
Code	34.21
Description	Carter moteur
Revision	1



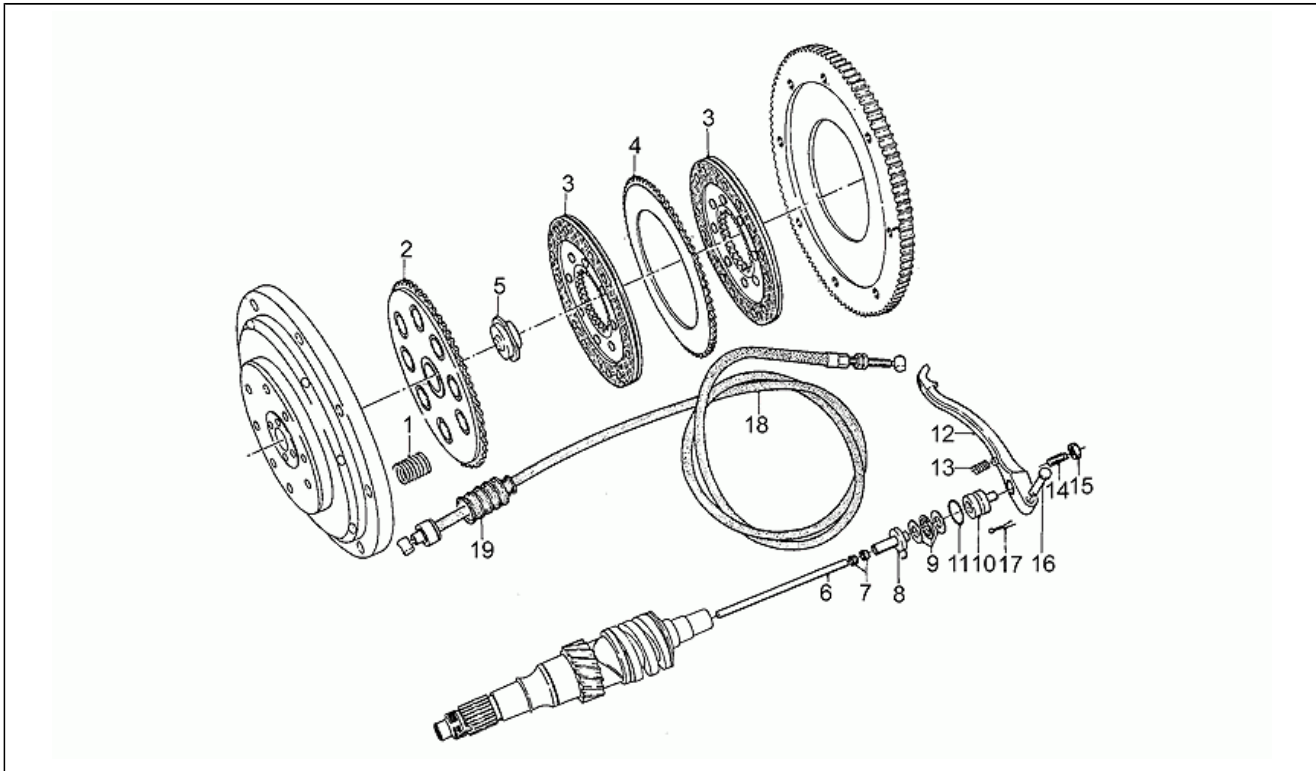
Pos.	Code	Description	Q.ty	Variants
1	GU14000765	Carter moteur	1	
2	GU12003900	Disque	1	
3	GU96508066	Vis sans tête M8X66	4	
4	GU96508075	Vis sans tête M8x75	2	
5	GU95004208	Rondelle	4	
6	GU92602208	Ecrou M8X1,25	6	
7	GU12018900	Douille d'accouplement	2	
8	GU95512081	Goupille	2	
9	GU14011900	Bride complète	1	Spécifications techniques:Tolerance standard[std]
9	GU14011901	Bride min.0,2 mm	1	Spécifications techniques:Tolerance min.[MIN]
10	GU12012200	Goupille	1	
11	GU98054425	Vis M8X25	14	
12	GU61270300	Rondelle élastique 8x15x0,3	14	
13	GU18001150	Bride	1	
14	GU98310630	Vis	4	
15	GU14001400	Couvercle distribution	1	
16	GU12001200	Joint couvercle	1	
17	GU90402038	Bague d'étanchéité	1	Spécifications techniques:Saprisa[S]
17	GU90402840	Bague d'étanchéité 28x38x7	1	Spécifications techniques:Bosch[B]
18	GU98622325	Vis M6X25	8	
19	GU98620335	Vis M6X35	6	
20	GU18001650	Couvercle	1	
21	GU14003600	Garniture de enjoliveur	2	
22	GU03003501001	Coupe huile moteur	1	
23	GU14003800	Racc.filtere huile-carter 61 mm	1	
24	GU12003702	Bouchon vid.huile	1	
25	GU95100709	Joint 20,1x28x2	2	
26	GU98052390	Vis	4	

Assembly	MOTEUR
Code	34.21
Description	Carter moteur
Revision	1



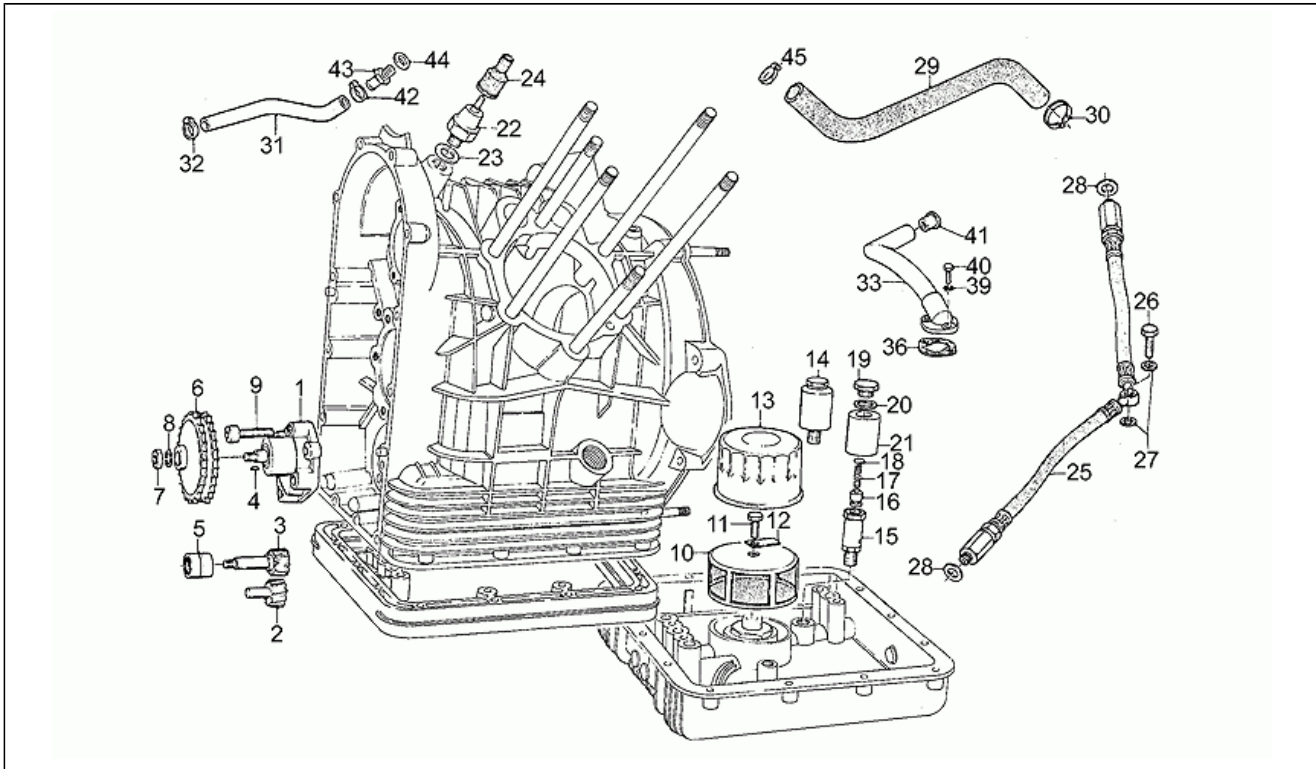
Pos.	Code	Description	Q.ty	Variants
27	GU95004206	Rondelle 6,15x11x0,8	18	
28	GU28004950	Bouchon alimentation huile	1	
29	GU12011800	Joint	1	
30	GU12011400	Bride complète	1	Spécifications techniques:Tolerance standard[std]
30	GU12011401	Bride min.0,2 mm	1	Spécifications techniques:Tolerance min.[MIN]
30	GU12011402	Bride min.0,4 mm	1	Spécifications techniques:Tolerance min.[MIN]
30	GU12011403	Bride min.0,6 mm	1	Spécifications techniques:Tolerance min.[MIN]
31	GU12011700	Goupille	1	
32	GU90405367	Bague d'étanchéité	1	
33	GU29999000	Joints moteur-série	1	
34	GU17999550	Kit moteur spi	1	
35	GU98620355	Vis M6X60	14	
36	GU14003240	Bride carter huile	1	
37	GU29991000	Moteur	1	Spécifications techniques:Without gearbox[SC]

Assembly	MOTEUR
Code	34.22
Description	Embrayage
Revision	1



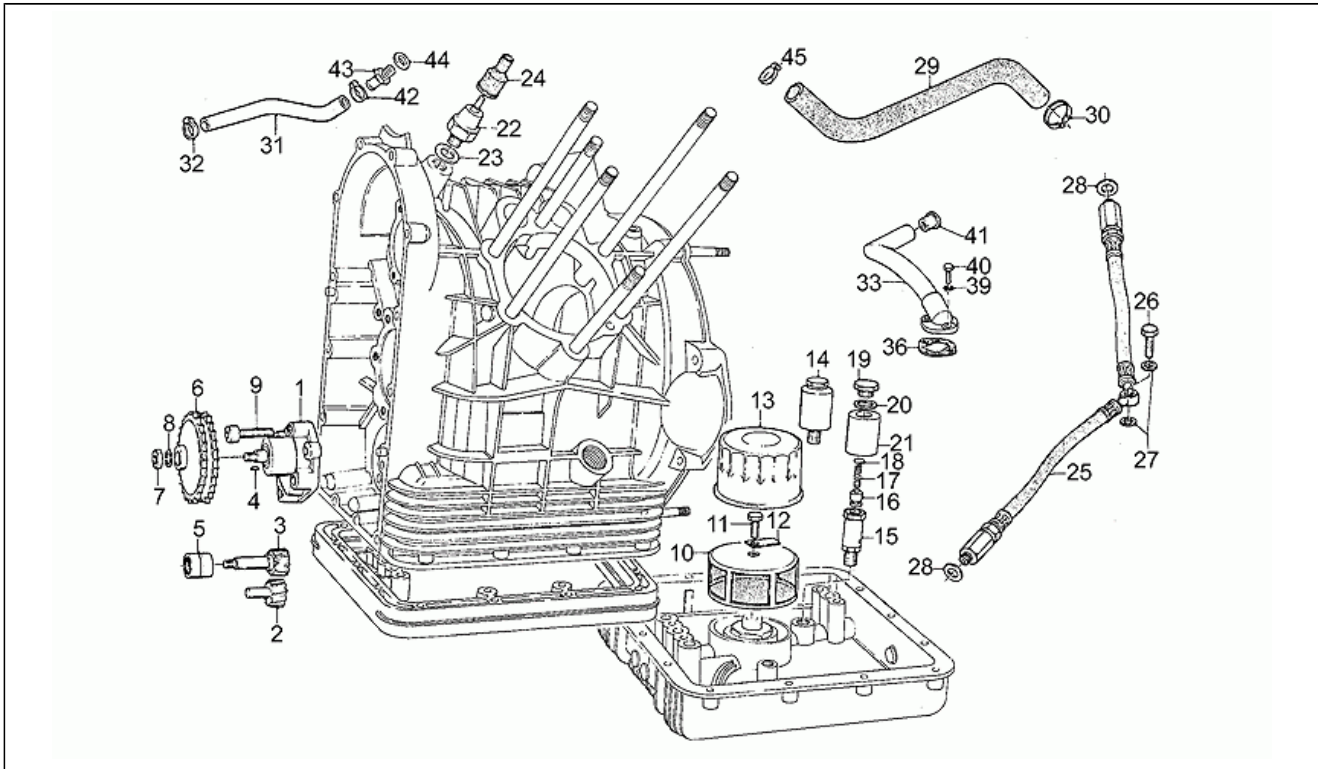
Pos.	Code	Description	Q.ty	Variants
1	GU13084100	Ressort embrayage	8	
2	GU12082901	Disque	1	
3	GU29999350	Pignon embrayage	2	
4	GU12082300	Disque interclaire	1	
5	GU12082800	Rondelle	1	
6	GU14085700	Tige	1	
7	GU14085900	Douille	2	
8	GU14086000	Corps intérieur	1	
9	GU12087001	Palier poussée	1	
10	GU14086100	Corps extérieur	1	
11	GU90706170	Joint torique 17,13x2,62	1	
12	GU14090202	Débrayage	1	
13	GU94321105	Retour levier démarrage	1	
14	GU14090400	Vis embrayage	1	
15	GU92602508	Ecrou M8X1	1	
16	GU95780271	Goupille 7x39	1	
17	GU95500222	Goupille	1	
18	GU29093000	Câble embrayage	1	
19	GU17093850	Capuchon	1	

Assembly	MOTEUR
Code	34.25
Description	Pompe huile
Revision	1



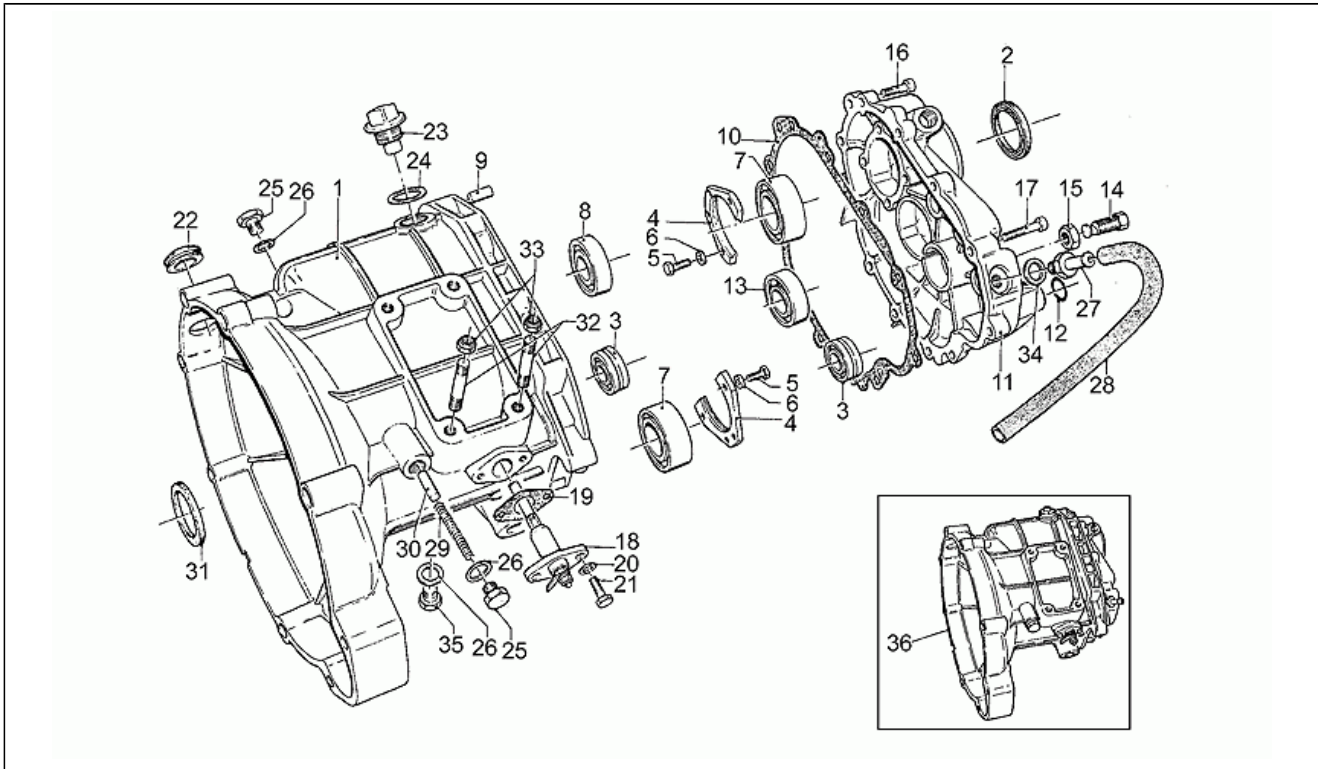
Pos.	Code	Description	Q.ty	Variants
1	GU13146402	Pompe à huile complète	1	
2	GU13148400	Engrenage mené	1	
3	GU13147800	Engrenage menant	1	
4	GU13148300	Clavette	1	
5	GU92252210	Roulement à rouleaux 10x22x20	1	
6	GU13147701	Engrenage pompe huile	1	
7	GU92602308	Ecrou	1	
8	GU95120085	Rondelle élastique	1	
9	GU98622430	Vis M8X30	4	
10	GU14152200	Filtre à huile	1	
11	GU98054316	Vis M6X16	1	
12	GU95187006	Plaquette	1	
13	GU14153000	Filtre à huile 61 mm	1	
14	GU14158200	Soupape huile complète	1	
15	GU10158701	Corps de soupape	1	
16	GU12150900	Piston	1	
17	GU94321072	Ressort de soupape	1	
18	GU12150700	Fond	1	
19	GU12159000	Bouchon	1	
20	GU95100523	Rondelle 14,5X20X1	2	
21	GU14158800	Rondelle	1	
22	GU17768750	Détecteur pression	1	
23	GU12006400	Garniture 12,25	1	
24	GU12717600	Capuchon	1	
25	GU01153600	Tuyau	1	
26	GU95990037	Vis	5	
27	GU12154200	Joint 8,25x15x1	2	
28	GU25656102	Garniture	4	

Assembly	MOTEUR
Code	34.25
Description	Pompe huile
Revision	1



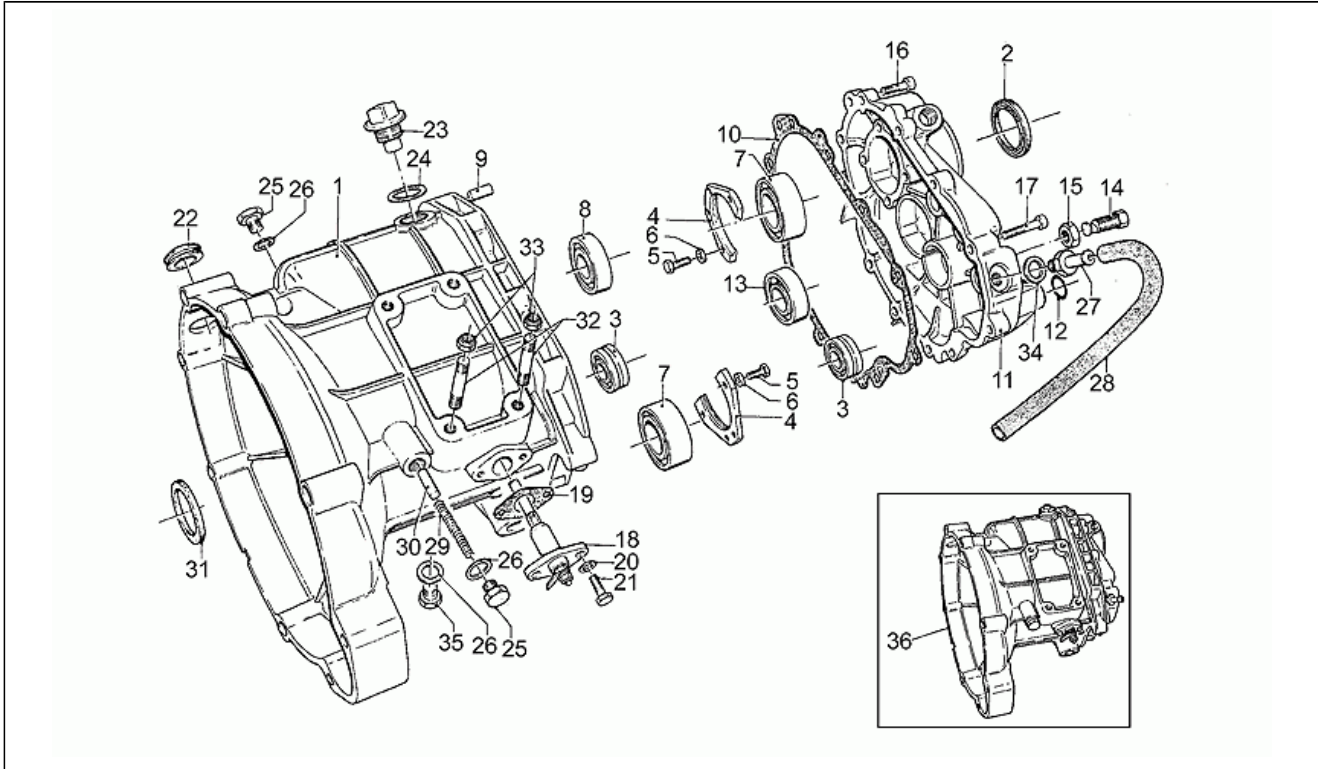
Pos.	Code	Description	Q.ty	Variants
29	GU28157450	Tuyau	1	
30	GU12157800	Collier	1	
31	GU00823956080	Tuyau caoutchouc 12,5X7,8 5/16"	2	
32	GU28157950	Collier clic 12,5x8	1	
33	GU01007200	Tuyau reniflard radiateur	1	
36	GU12007600	Joint	1	
39	GU95120065	Rondelle 6,5x11x2	2	
40	GU98054316	Vis M6X16	2	
41	GU28150560	Soupape reniflard huile	1	
42	GU12108400	Collier	2	
43	GU28153960	Raccord	2	
44	GU25656102	Garniture	2	
45	GU12157800	Collier	1	

Assembly	MOTEUR
Code	34.26
Description	Cartier de boîte vitesses
Revision	1



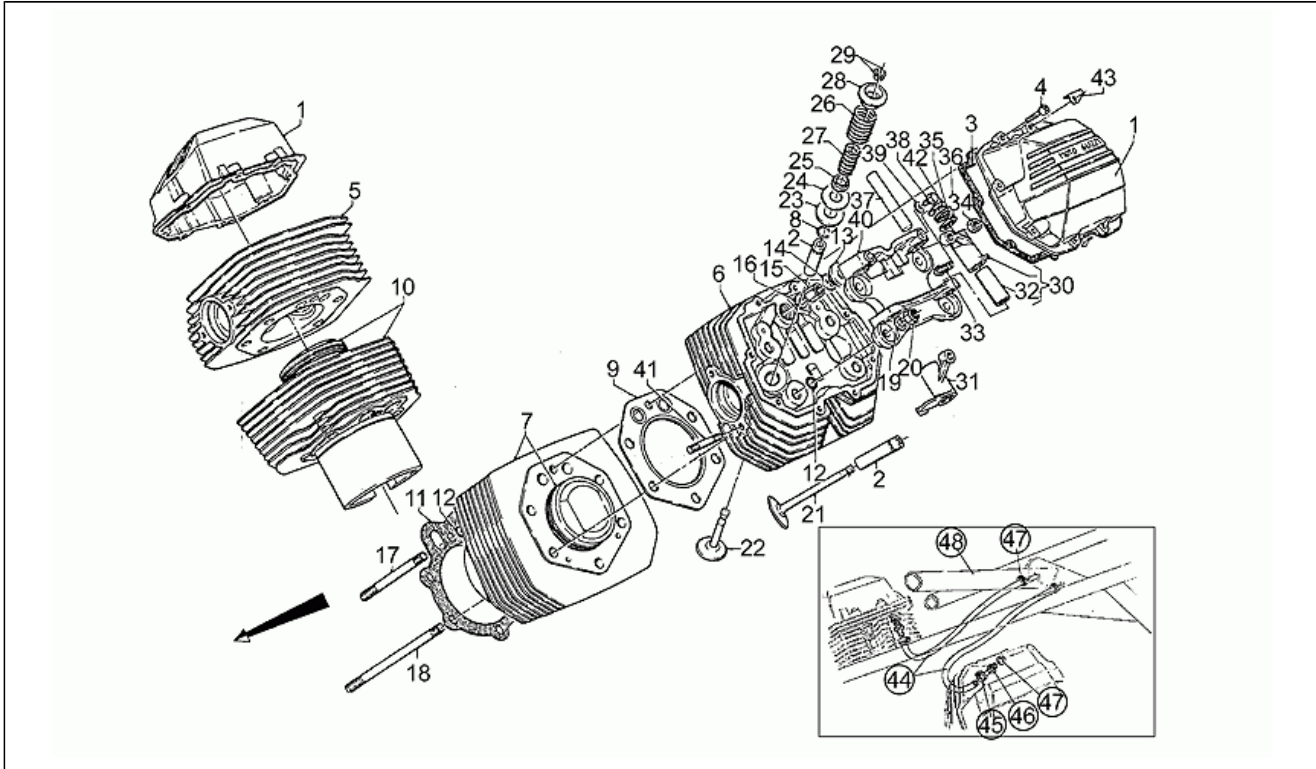
Pos.	Code	Description	Q.ty	Variants
1	GU14200211	Boîte de vitesses brute	1	
2	GU90403547	Bague d'étanchéité 35x47x7	1	
3	GU92256218	Roulement à rouleaux 17x35x15	2	
4	GU14213803	Plaque	2	
5	GU98622316	Vis M6X16	6	
6	GU14217901	Rondelle 6,4x10x0,7	6	
7	GU92218424	Roulement à billes AF/AS 25x52	2	
8	GU92234717	Roulement à rouleaux AS 17x47x14	1	
9	GU95512081	Goupille	2	
10	GU14201110	Joint	1	
11	GU18200802	Couvercle boîtier brut	1	
12	GU90706140	Joint torique 13,95x2,92	1	
13	GU92201417	Roulement à billes AP 17x47x14	1	
14	GU14237800	Vis	1	
15	GU92602512	Ecrou bas M12x1,25	1	
16	GU98622325	Vis M6X25	10	
17	GU98620335	Vis M6X35	1	
18	GU12207200	Interr.tém.libre	1	
19	GU12207700	Joint	1	
20	GU95000206	Rondelle	2	
21	GU98054316	Vis M6X16	2	
22	GU93180220	Bouchon	1	
23	GU12003702	Bouchon vid.huile	1	
24	GU95100709	Joint 20,1x28x2	1	
25	GU95980610	Bouchon	1	
26	GU10528900	Garniture	3	
27	GU14204955	Soupape reniflard huile	1	
28	GU00823956080	Tuyau caoutchouc 12,5X7,8 5/16"	1	

Assembly	MOTEUR
Code	34.26
Description	Carter de boîte vitesses
Revision	1



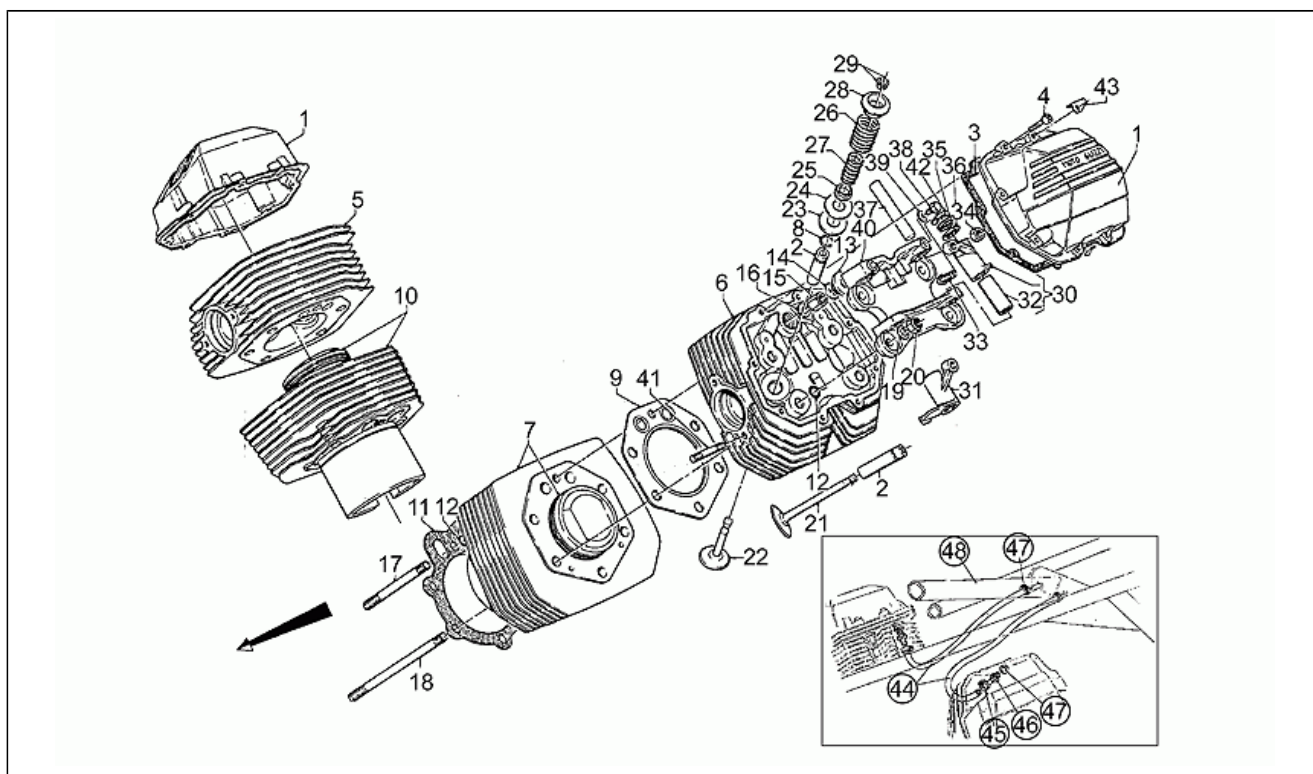
Pos.	Code	Description	Q.ty	Variants
29	GU94321067	Retour levier démarrage	1	
30	GU55234700	Encliquetage	1	
31	GU90403548	Bague d'étanchéité 35x47x7/6,5	1	
32	GU96508032	Vis sans tête	1	
33	GU92630108	Ecrou	1	
34	GU12154200	Joint 8,25x15x1	1	
35	GU95980214	Bouchon niveau huile	1	
36	GU28991560	Boîte vit. cpl.brute	1	

Assembly	MOTEUR
Code	34.27
Description	Tête cylindre
Revision	1



Pos.	Code	Description	Q.ty	Variants
1	GU14023560	Couvercle soupapes brut	2	
2	GU13036801	Guide-soupape purge	4	
3	GU14023760	Joint couvercle	2	
4	GU98622325	Vis M6X25	16	
5	GU28022100	Culasse d.	1	Spécifications techniques: Jusq'au moteur 20999[M3]
5	GU28022145	Culasse cylindre d. brute	1	Spécifications techniques: A' partir du moteur 21100[M4]
6	GU28022200	Culasse g.	1	Spécifications techniques: Jusq'au moteur 20999[M3]
6	GU28022245	Culasse cylindre g. brute	1	Spécifications techniques: A' partir du moteur 21100[M4]
7	GU29060101	Cylindre cpl. G	1	
8	GU90353016	Anneau élastique	4	
9	GU14022065	Joint	2	
10	GU29060201	Cylindre cpl. D	1	
11	GU14020865	Joint	2	
12	GU90706094	Joint torique 9x2	12	
13	GU12022600	Bouchon huile	2	
14	GU90706203	Joint torique 20,24X2,62	2	
15	GU13021900	Ecrou colonne	2	
16	GU95129180	Rondelle 10,5X18X0,8	2	
17	GU12021800	Vis sans tête	4	
18	GU12021700	Vis sans tête	8	
19	GU14018400	Rondelle 10,5X21X1	10	
20	GU92603010	Ecrou M10X1,5	10	
21	GU29036050	Soupape d'admission	2	
22	GU29036150	Soupape d'échappement	2	
23	GU13037200	Rondelle 14,2x31x1	4	
24	GU14037300	Rondelle 14,2x31x0,3	10	
25	GU13037000	Coupelle inférieure	4	
26	GU13037400	Ressort externe	4	

Assembly	MOTEUR
Code	34.27
Description	Tête cylindre
Revision	1



Pos.	Code	Description	Q.ty	Variants
27	GU13037600	Ressort interne	4	
28	GU14038000	Coupelle supérieur	4	
29	GU12038100	Demi-clavette soupape	8	
30	GU14030201	Culbuteur d.complet	2	
31	GU14030401	Culbuteur g.complet	2	
32	GU91111511	Bague 15x18x43	4	
33	GU17034050	Vis embrayage	4	
34	GU10034100	Ecrou	4	
35	GU94322215	Ressort	4	
36	GU90118152	Rondelle 15,2x26x1	8	
37	GU12031800	Axe culbuteur	4	
38	GU98054316	Vis M6X16	4	
39	GU95120065	Rondelle 6,5x11x2	4	
40	GU14034865	Support culbuteur	2	
41	GU96508042	Vis sans tête	4	
42	GU10032700	Rondelle 15,2x26x0,5	4	
43	GU29135600	Support	1	
44	GU28157560	Tuyau	1	
45	GU28108400	Collier	1	
46	GU28153960	Raccord	1	
47	GU25656102	Garniture	2	
48	GU29400121	Chassis	1	Spécifications techniques: A' partir du moteur 21100[M4]
48	GU29400131	Chassis	1	Pays: États Unis[USA]